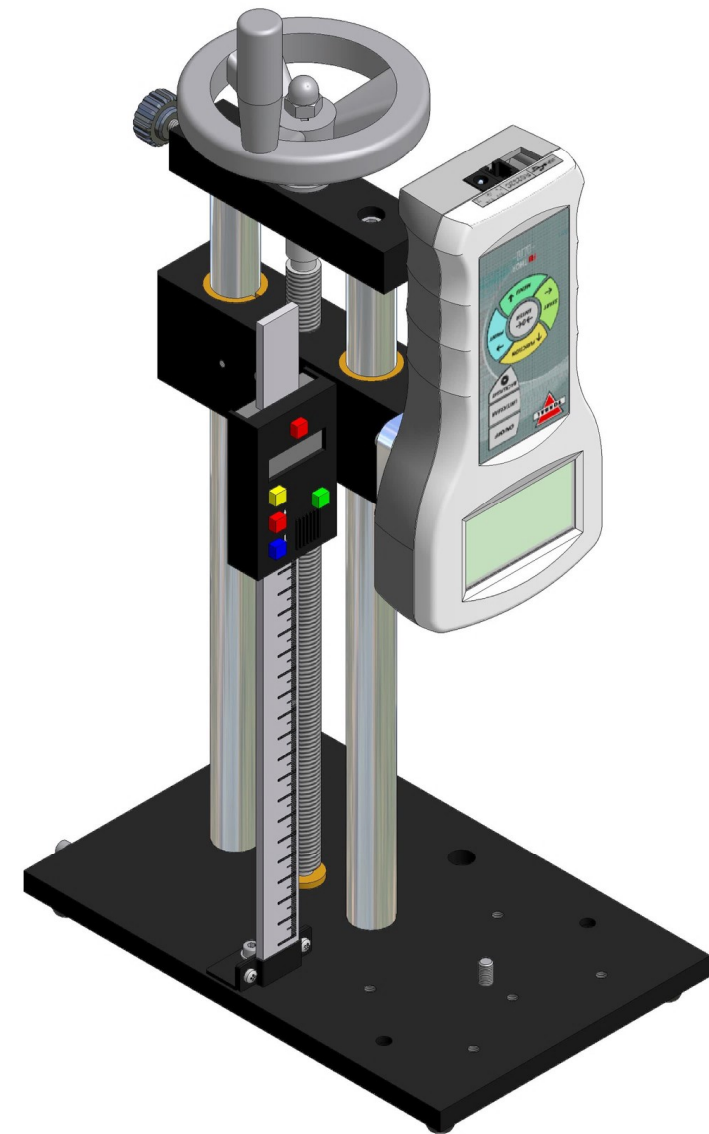
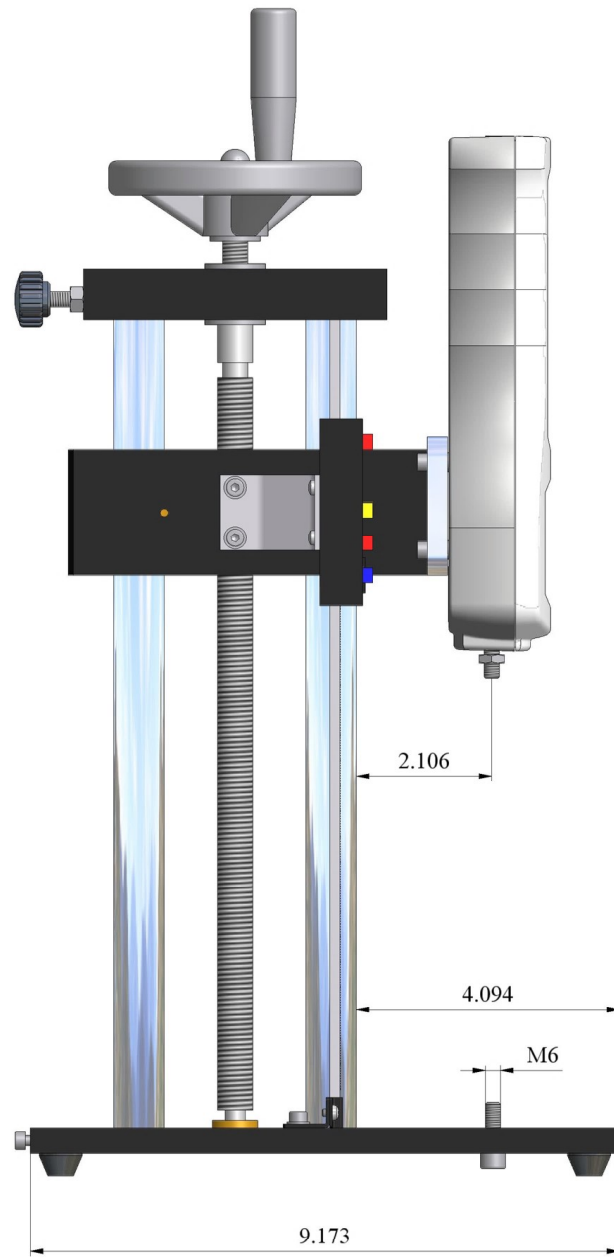
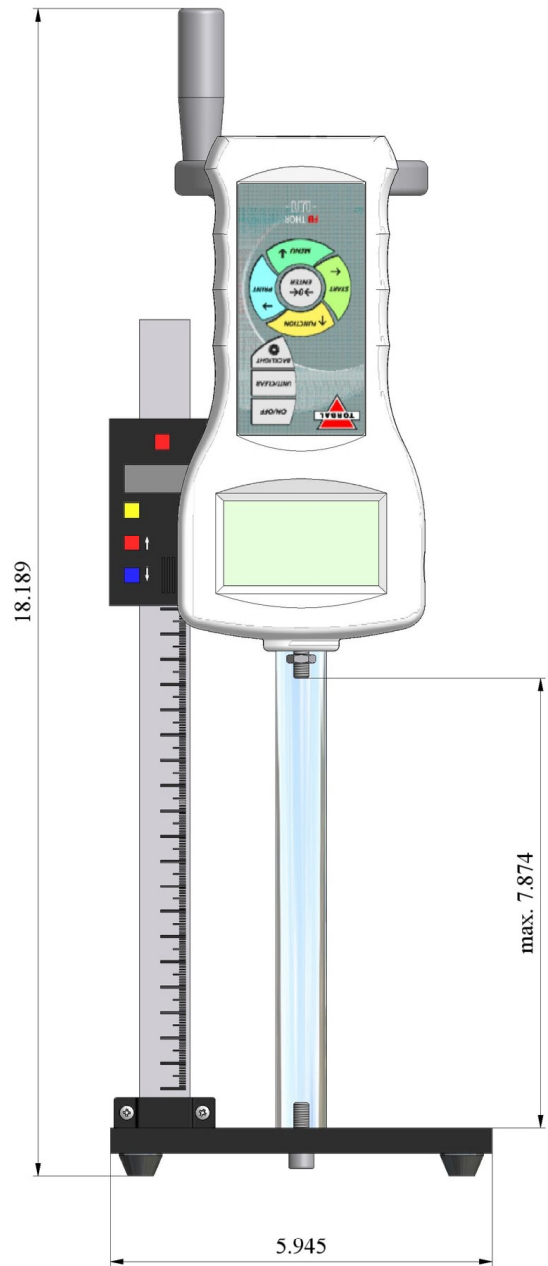
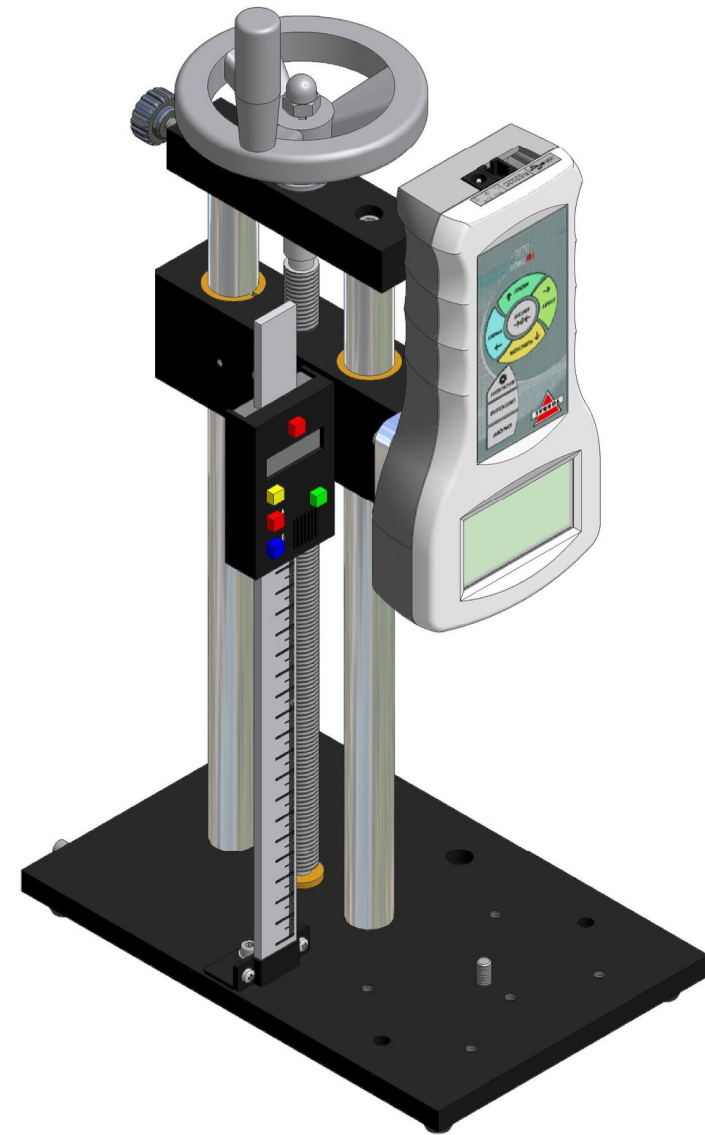
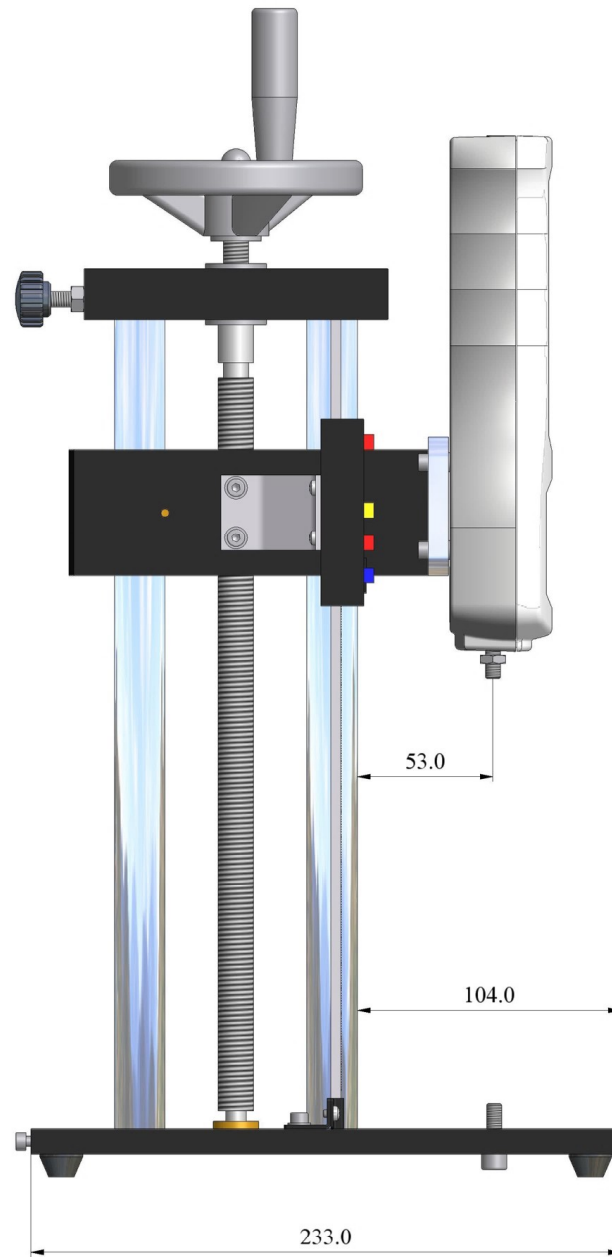
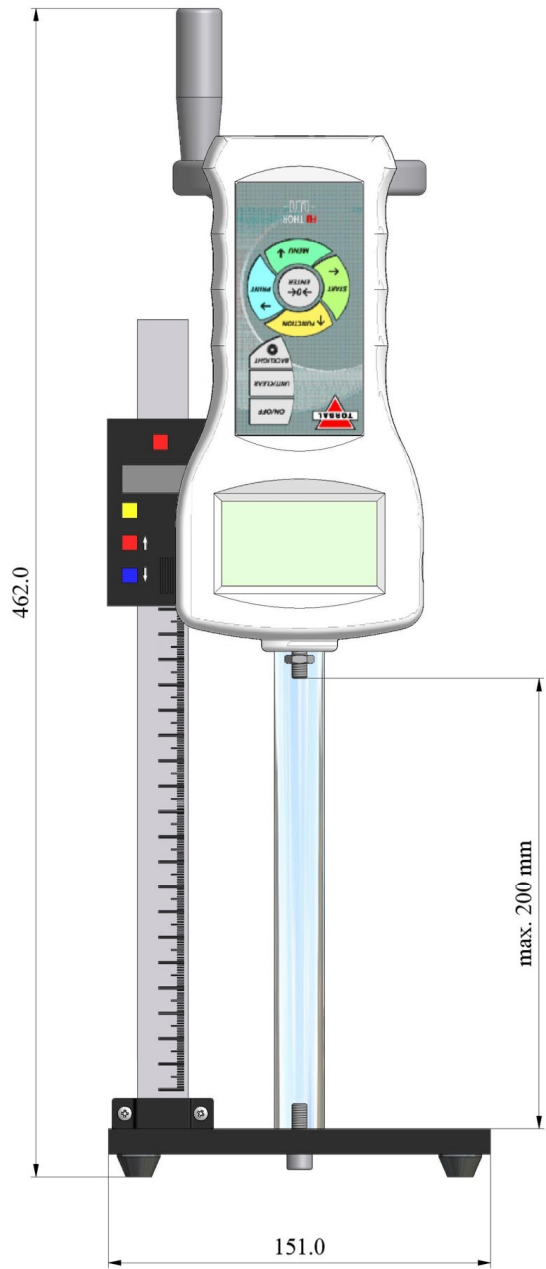


# Test Stand

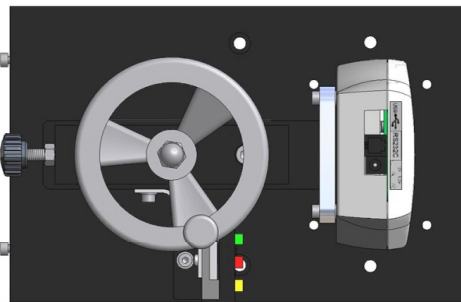
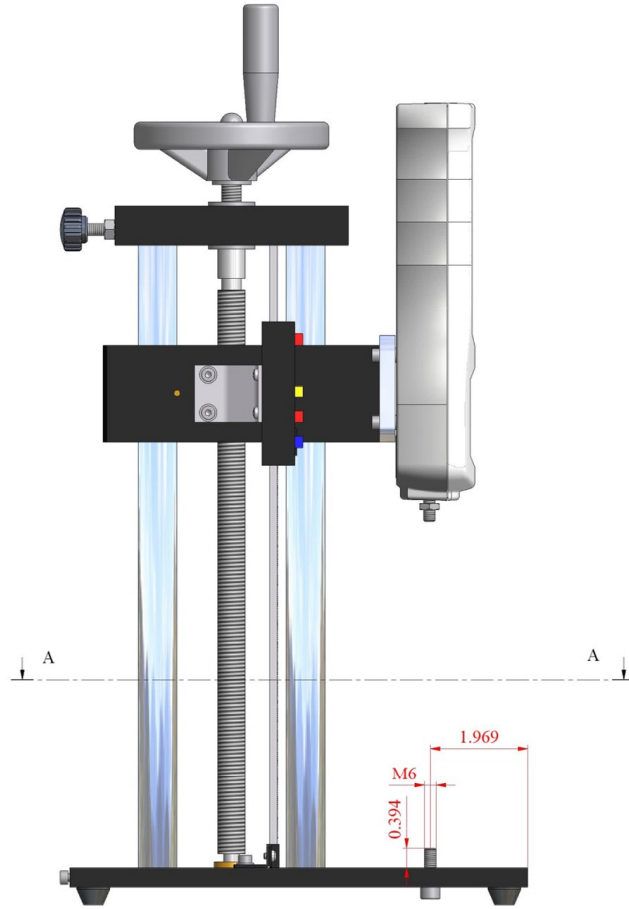


(imperial)

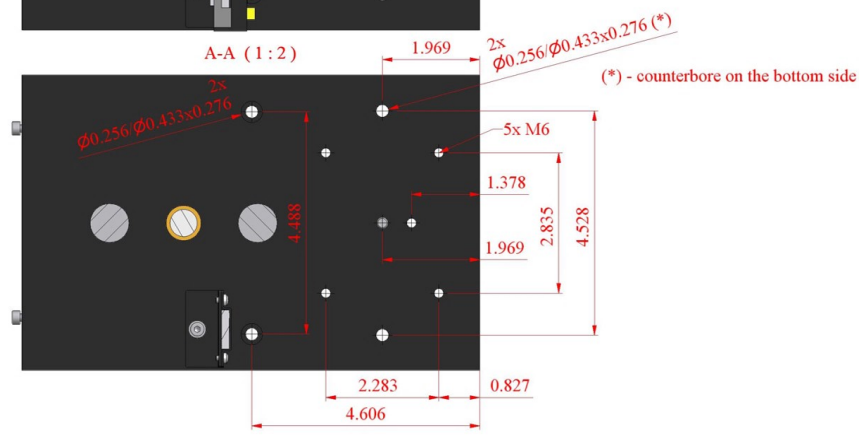
# Test Stand

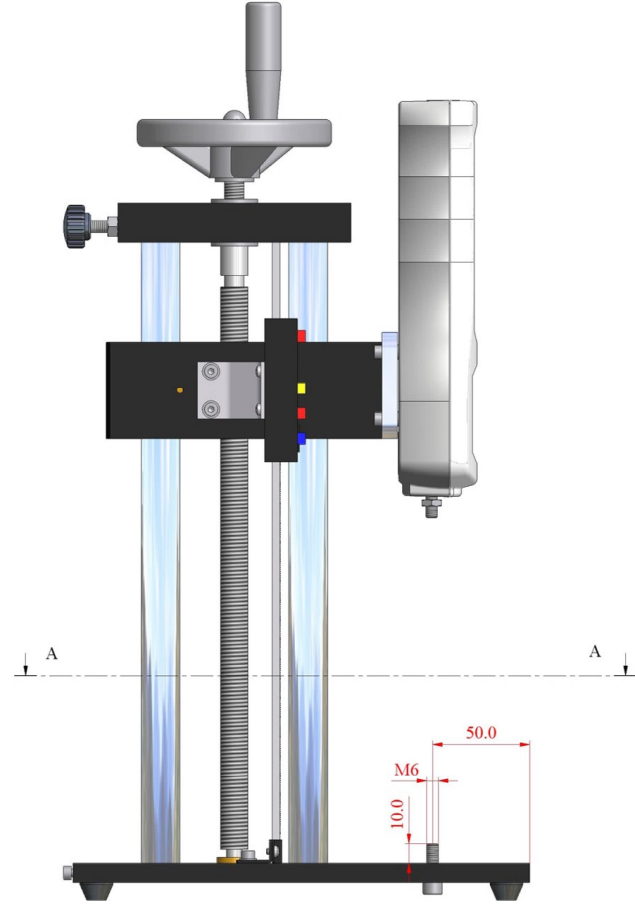


(metric)

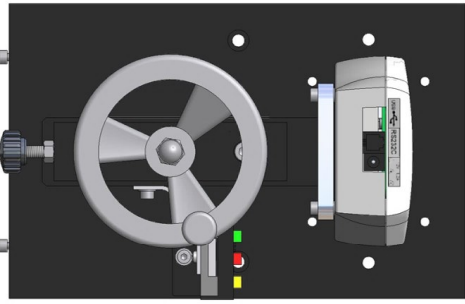


A-A (1:2)





50.0  
M6  
10.0



A-A (1:2)

