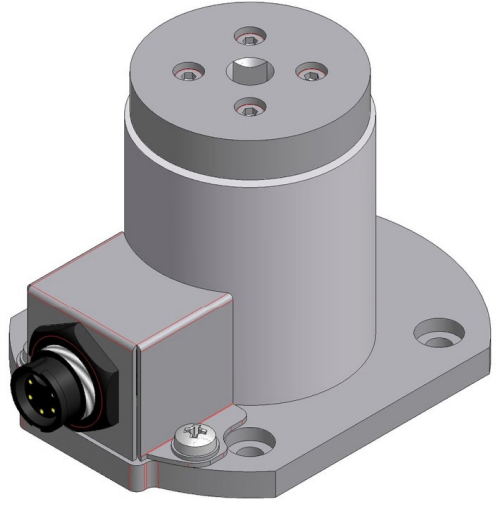
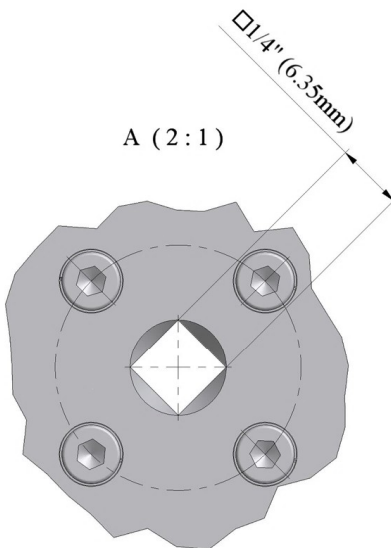
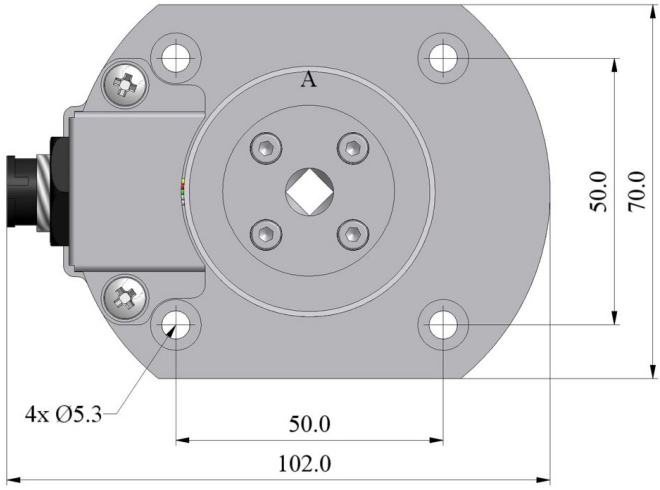
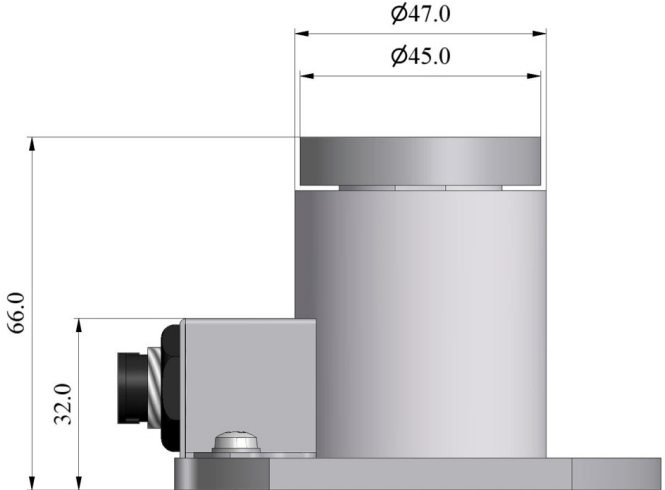
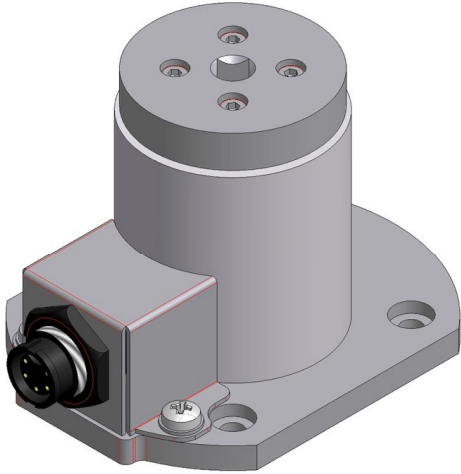
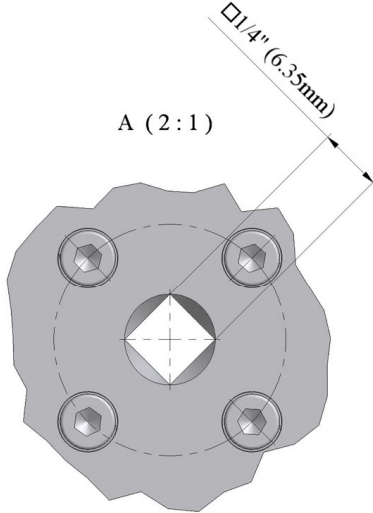
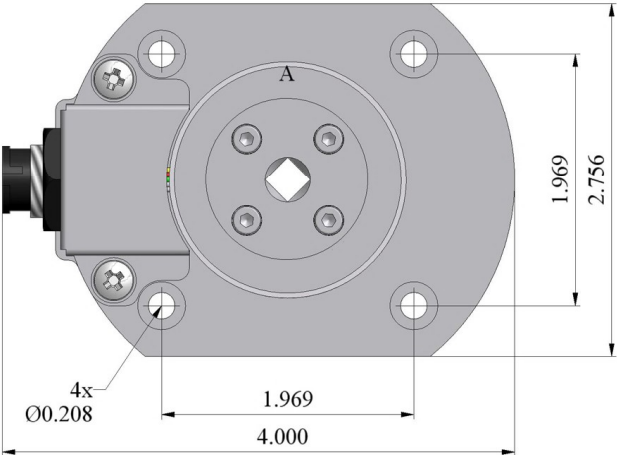
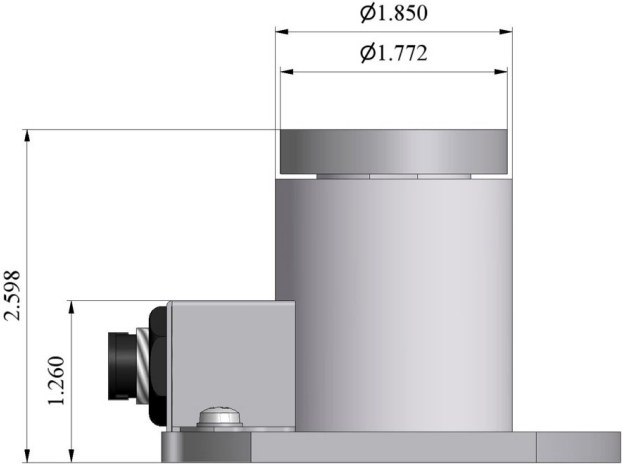


FSC2 to FSC10 Nm



(metric)

FSC2 to FSC10 Nm



(imperial)