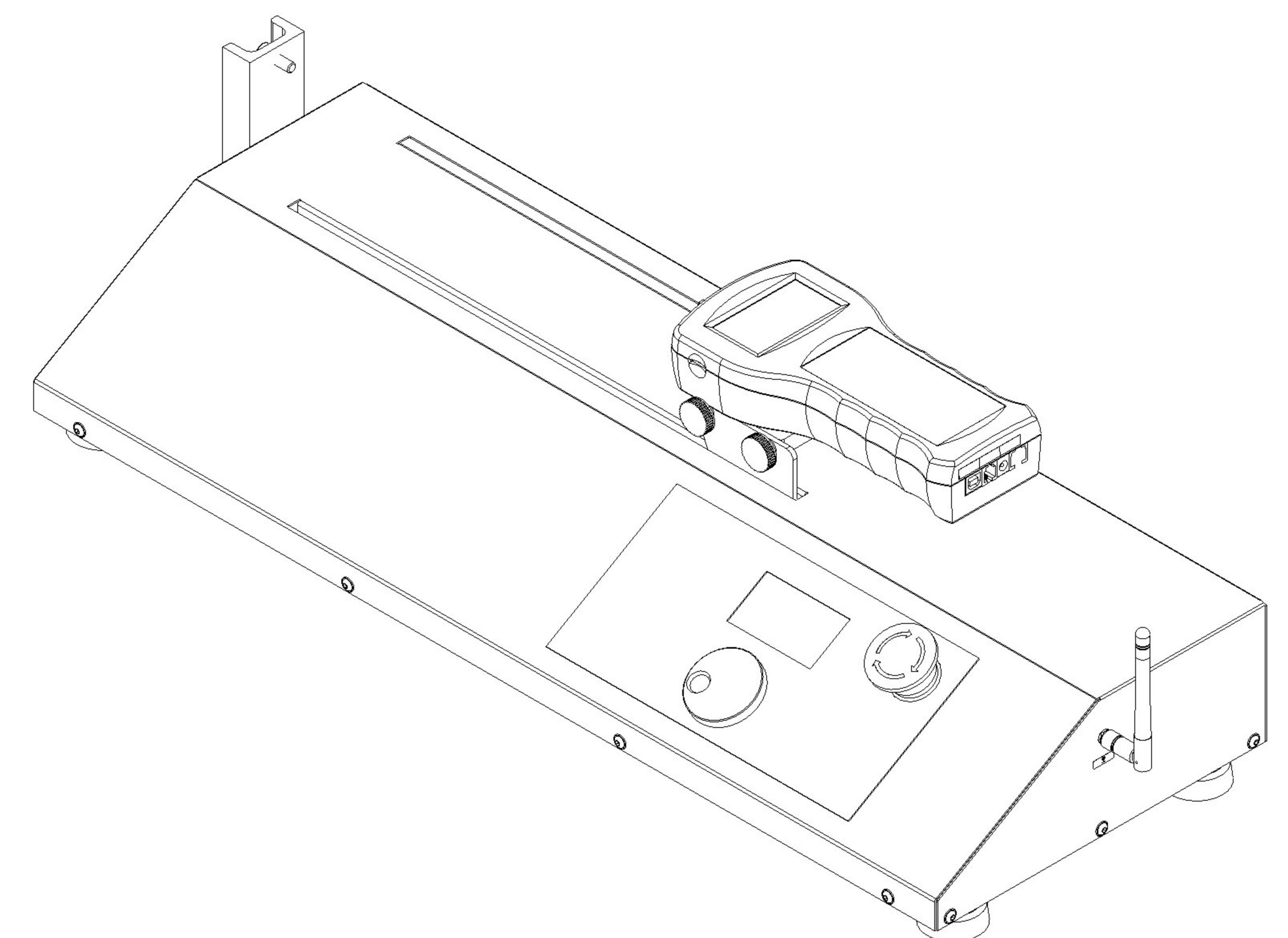
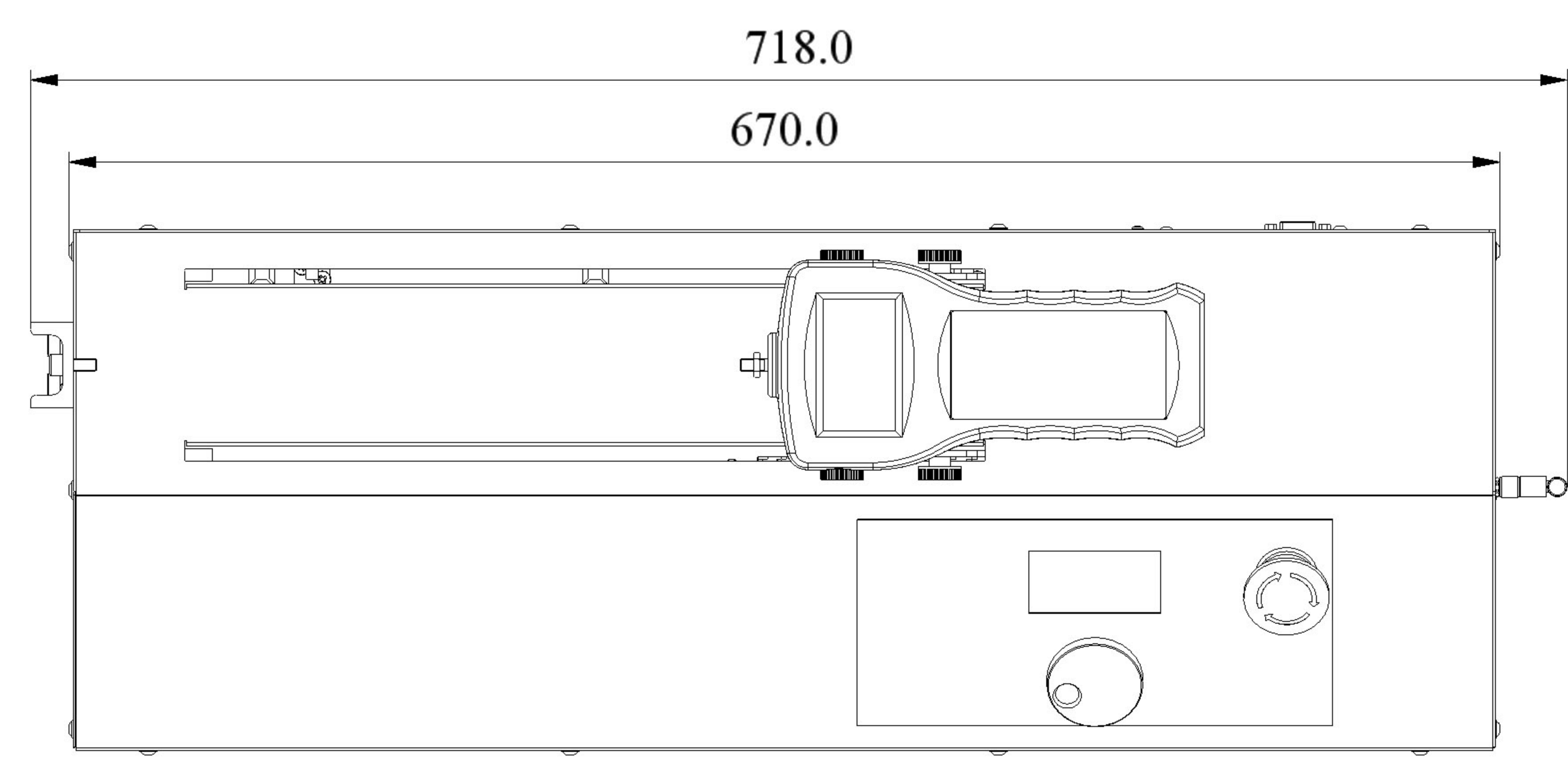
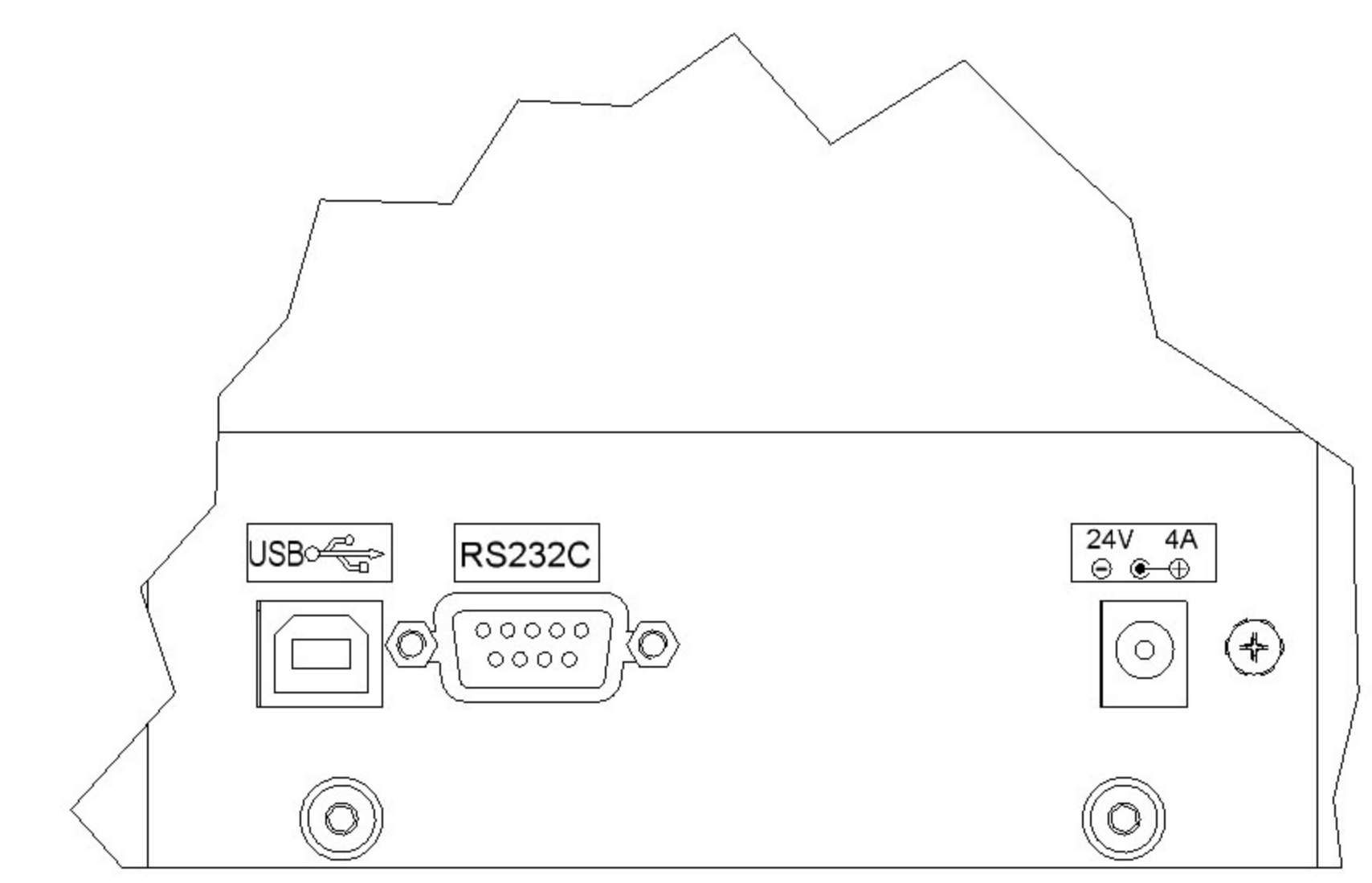


A (1:2)



FTH100 HORIZONTAL  
(METRIC)