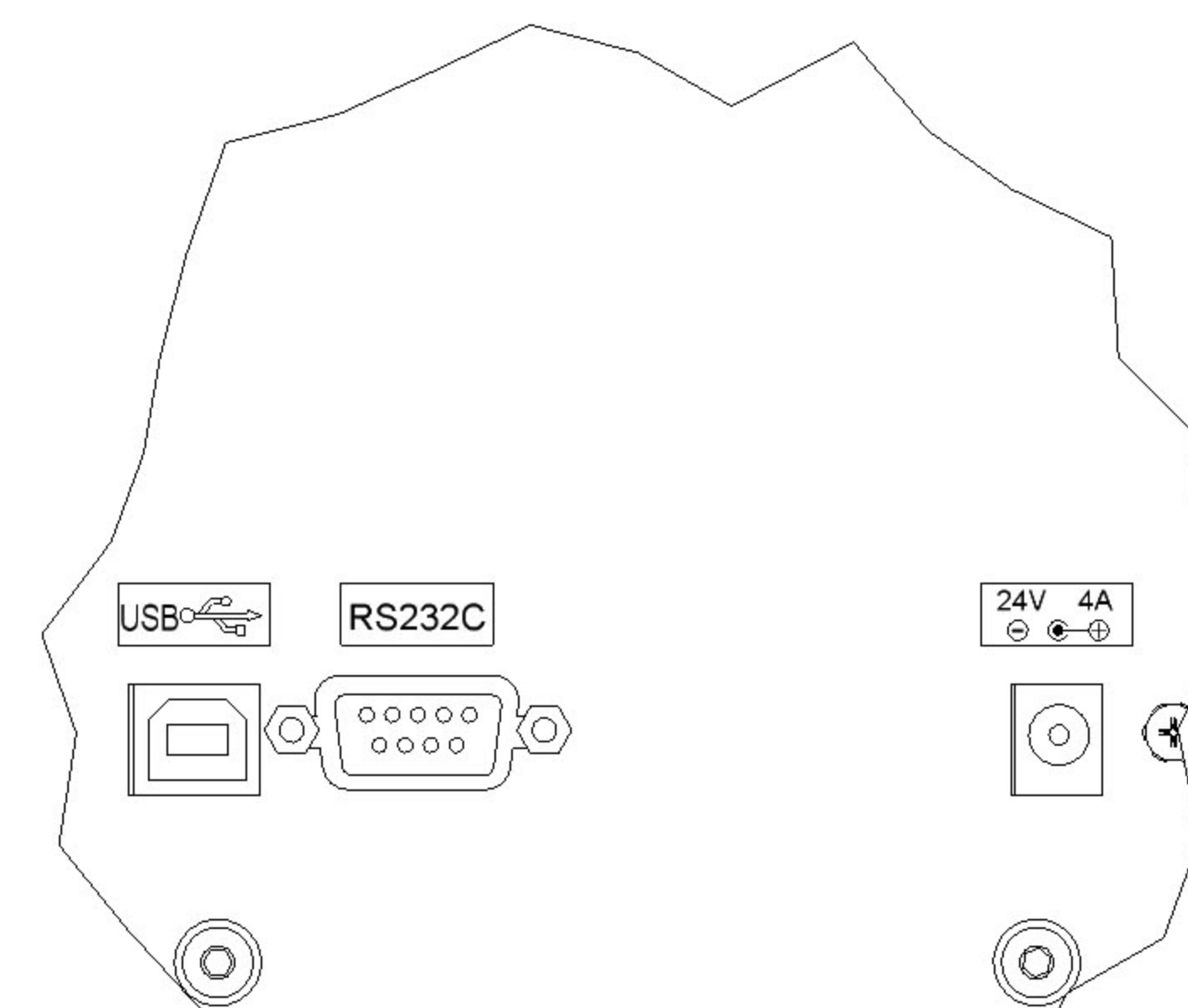
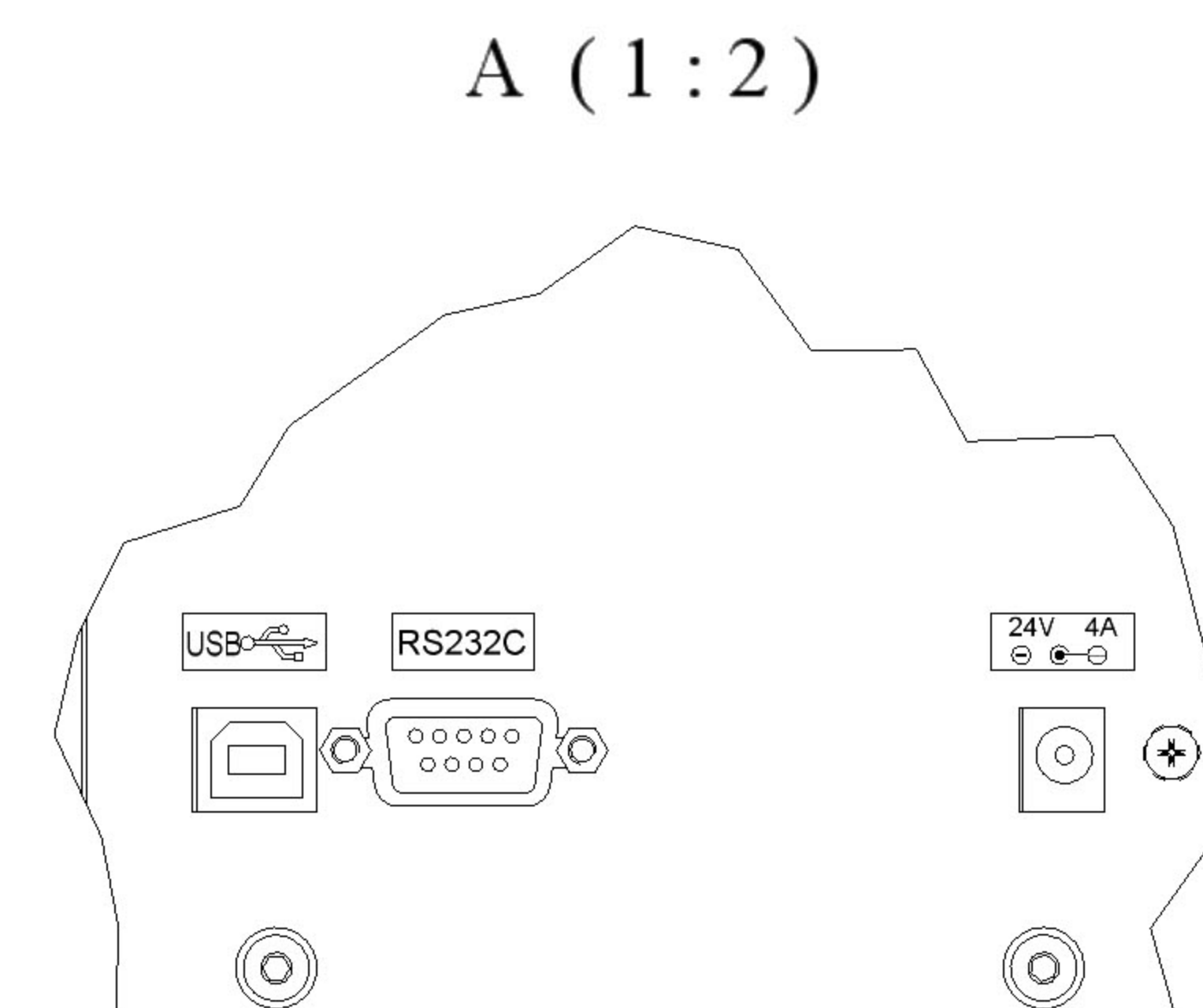
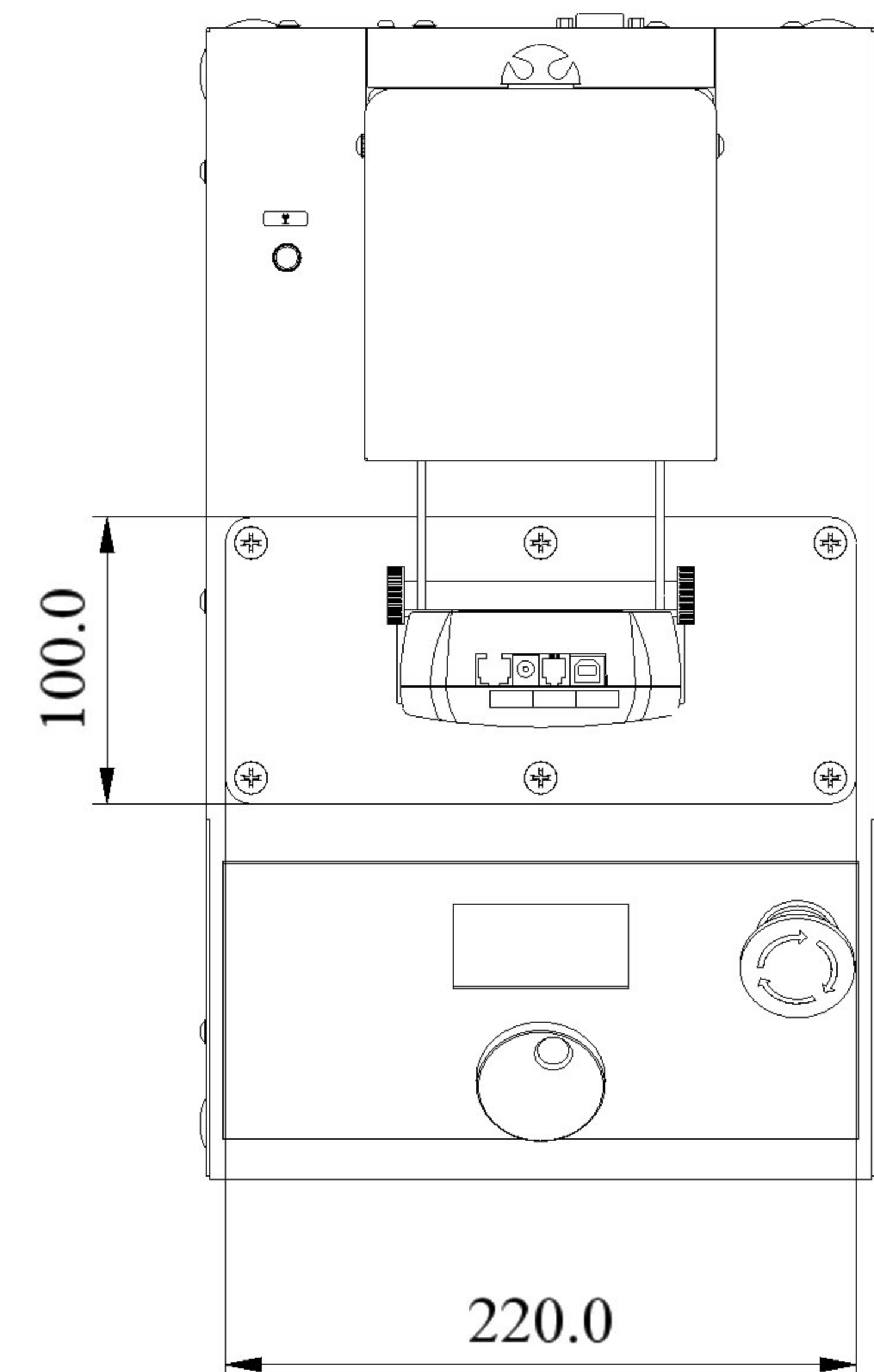
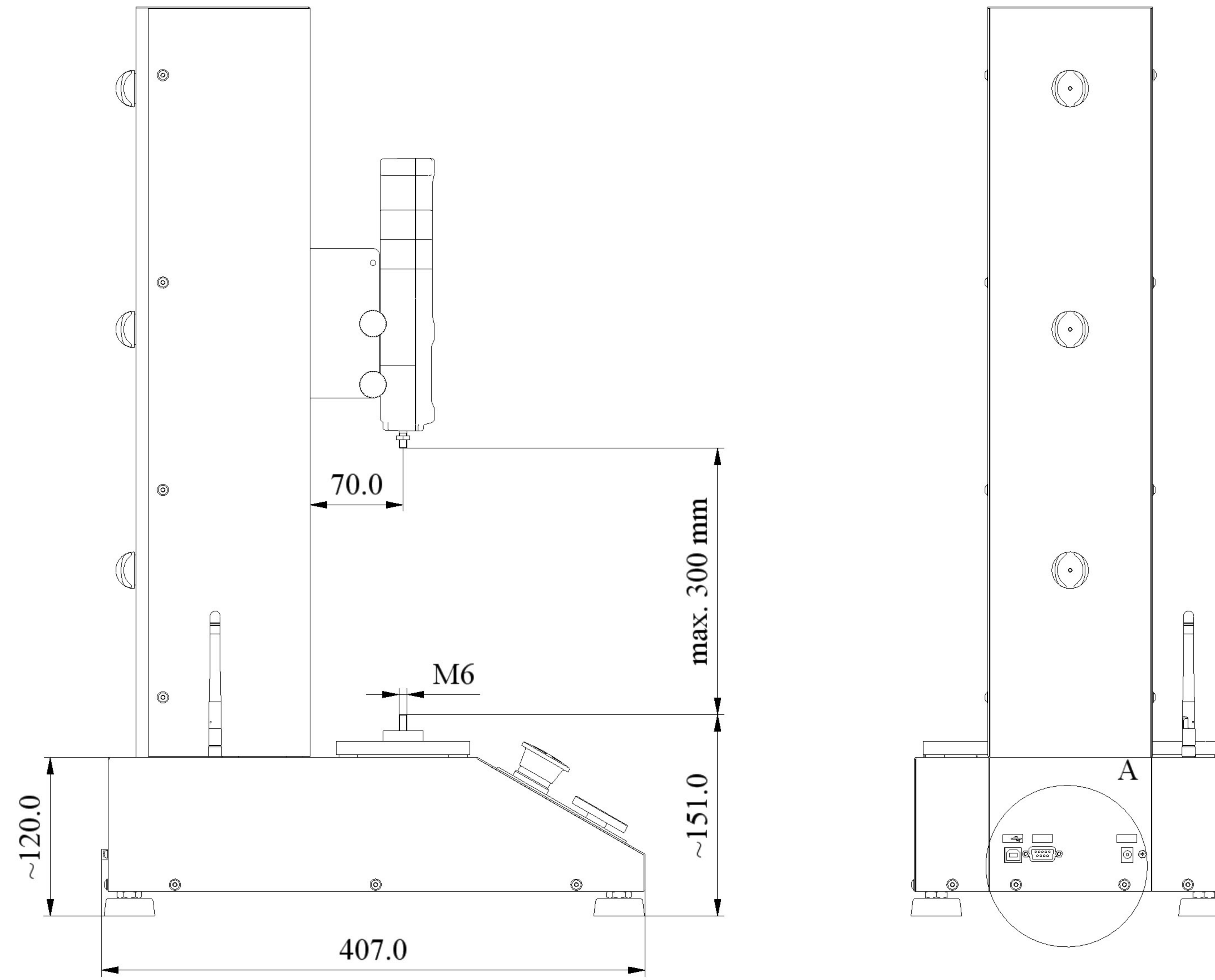
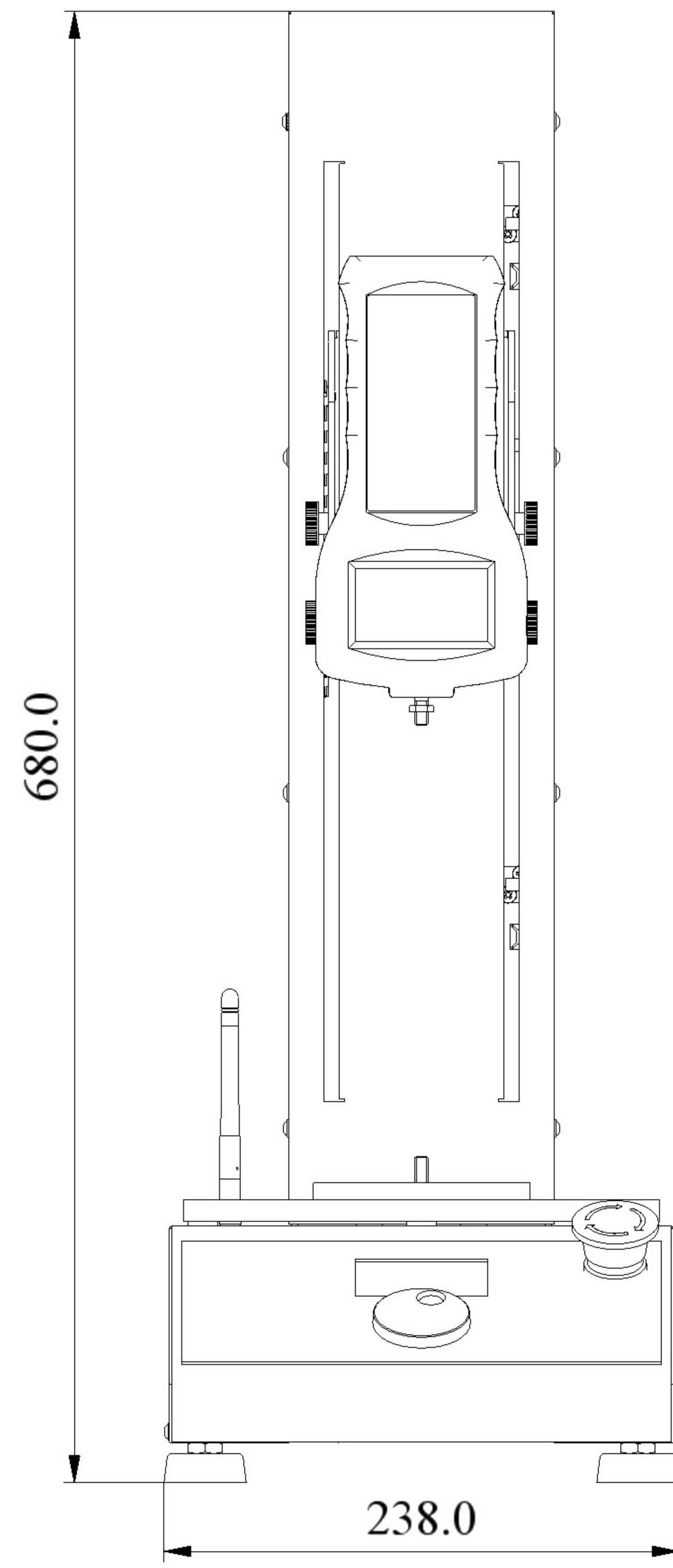


A (1:2)



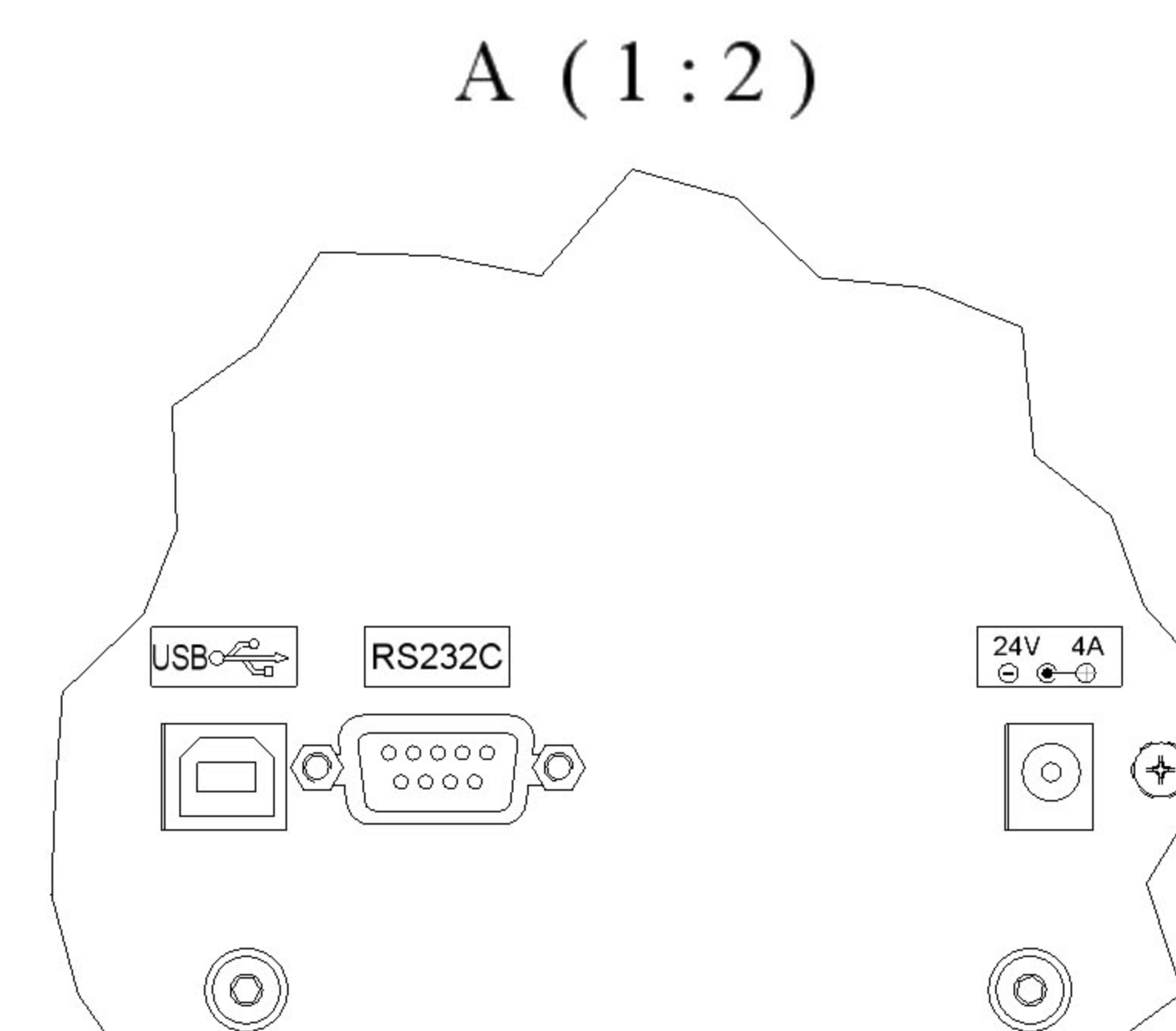
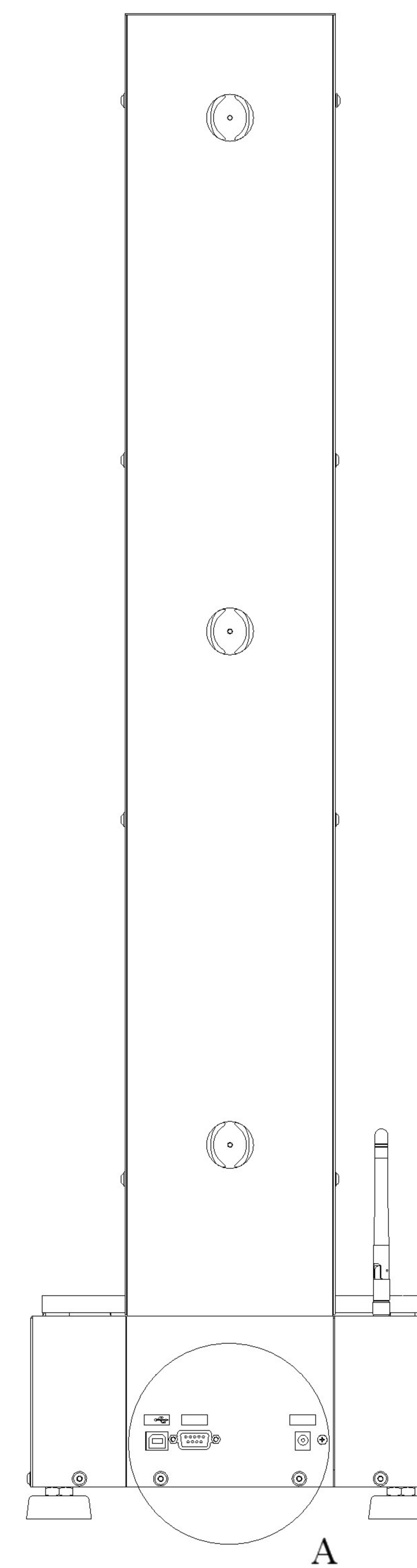
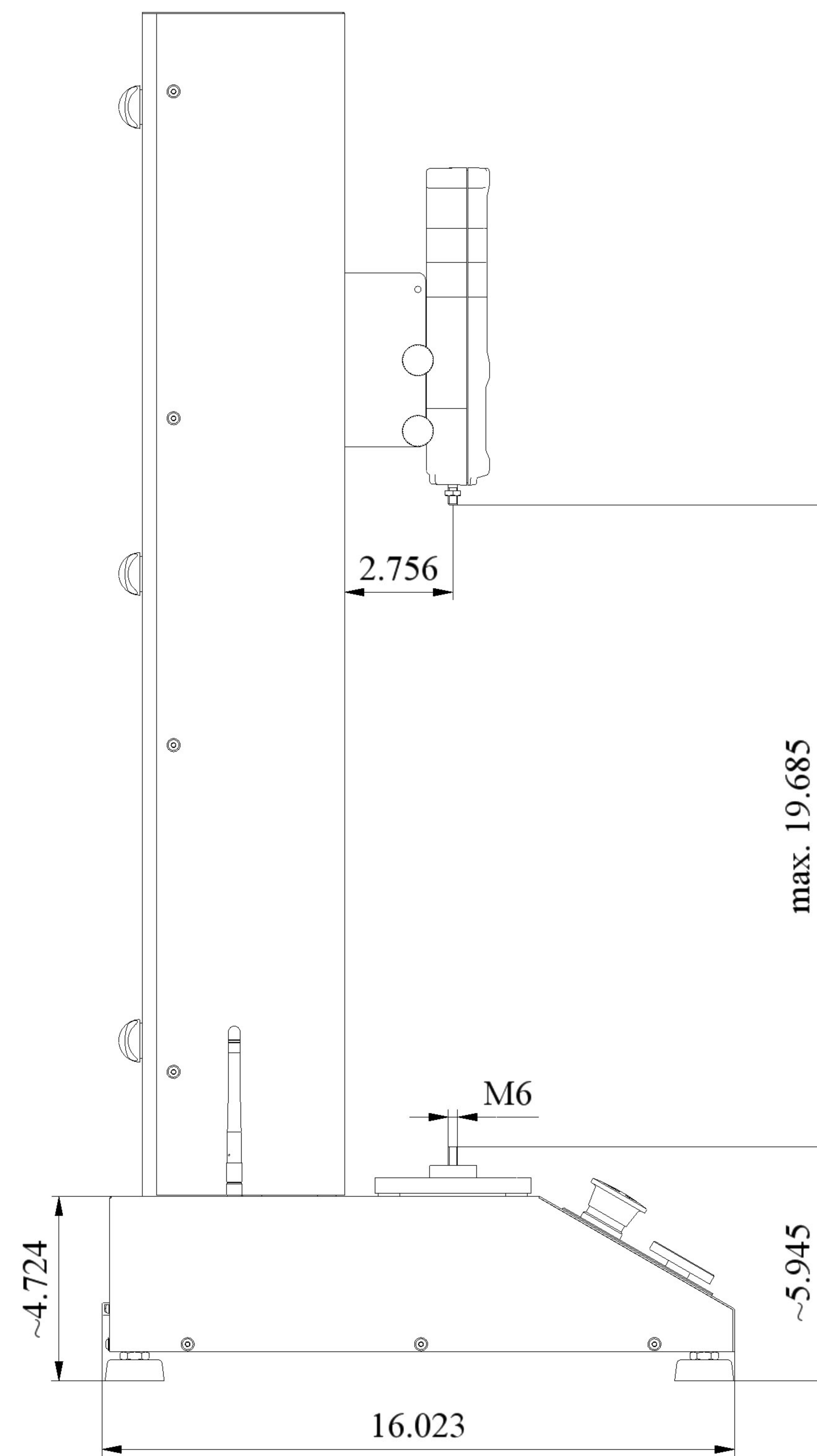
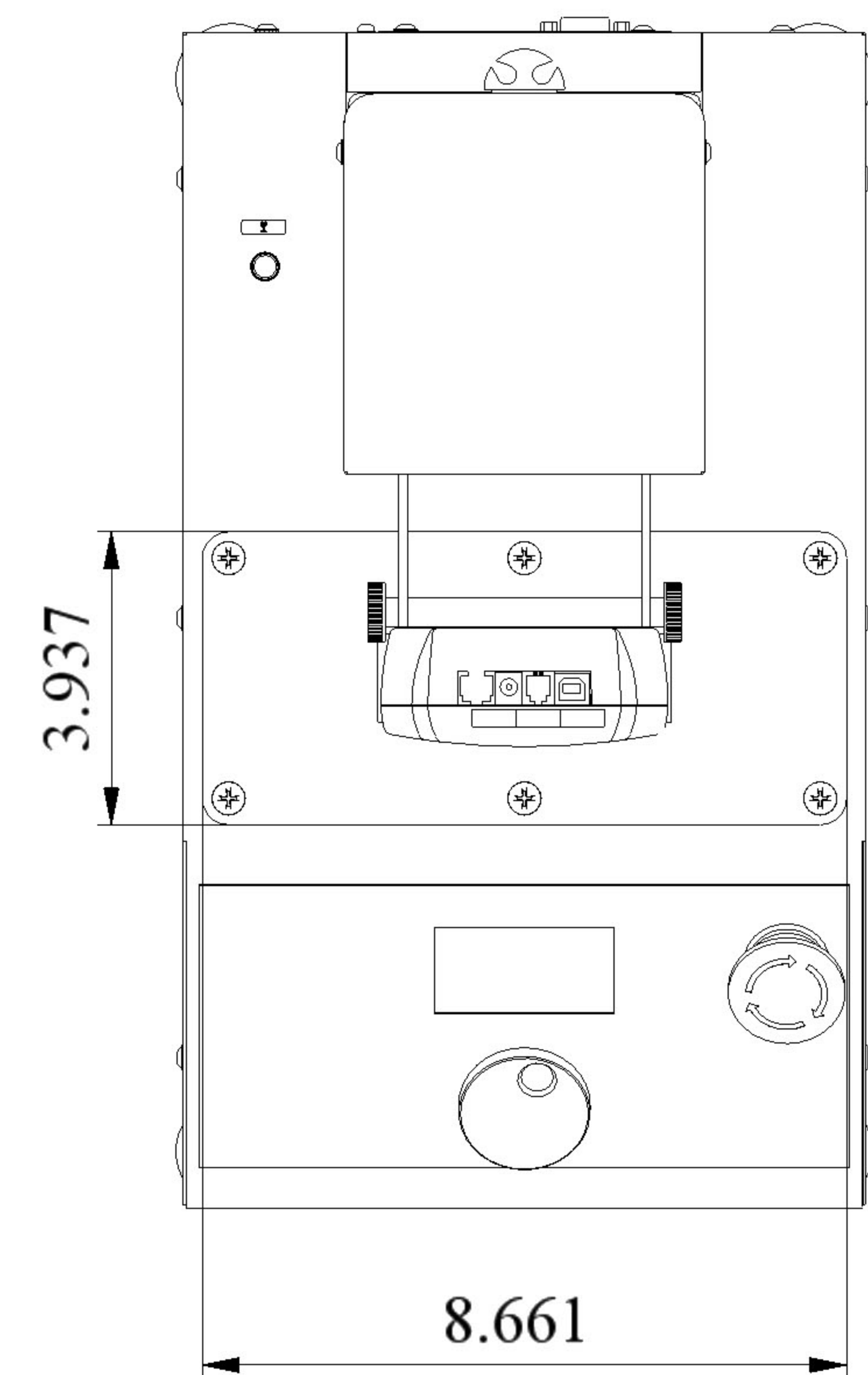
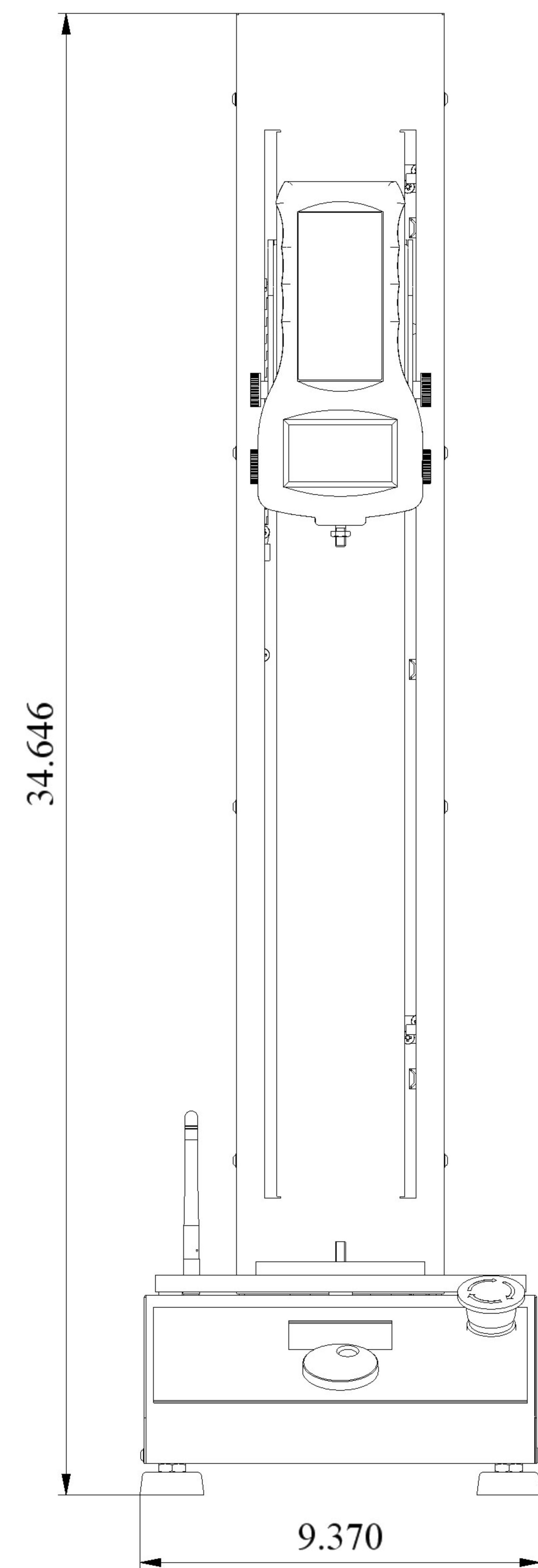
FTV100 VERTICAL  
(IMPERIAL)





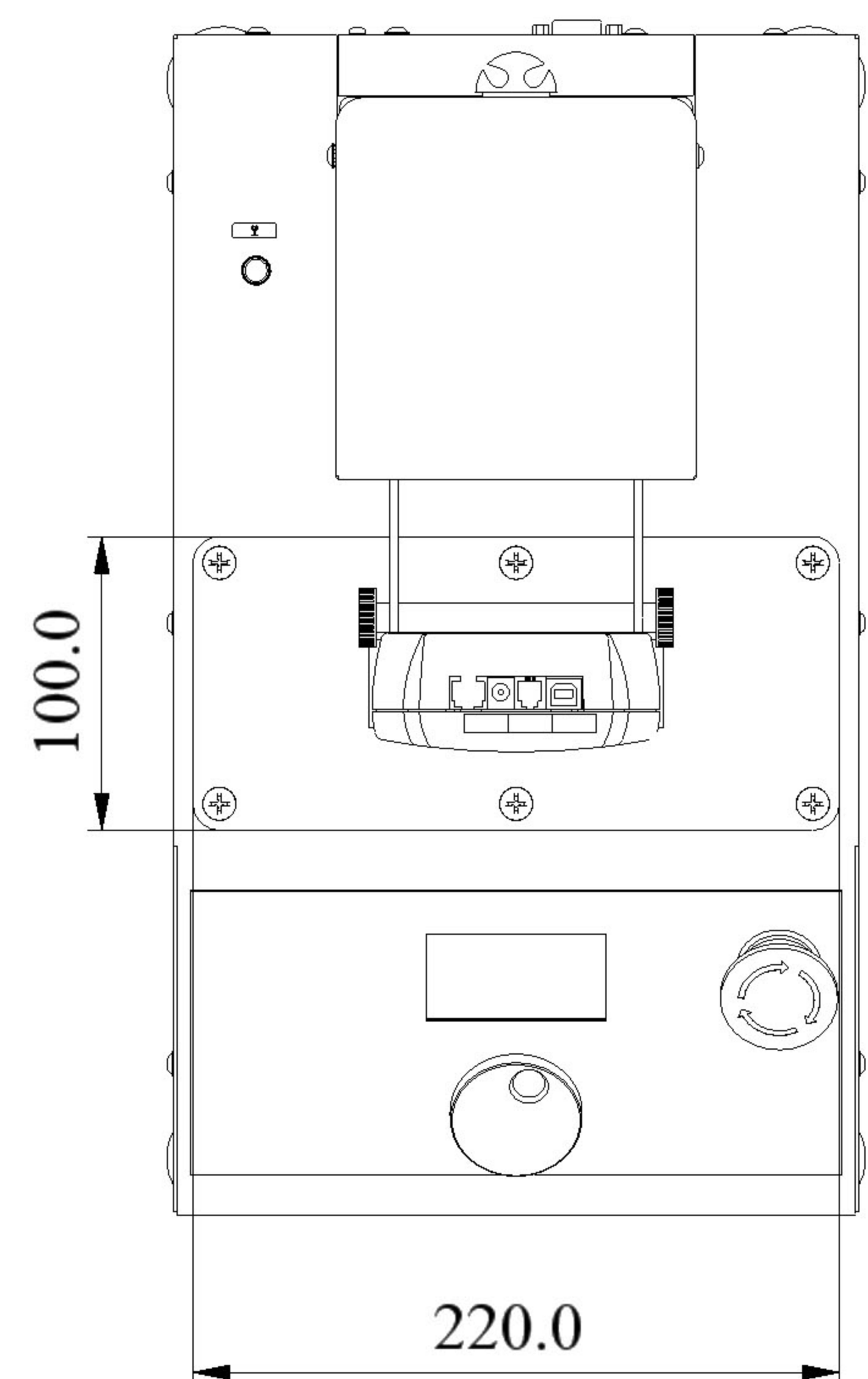
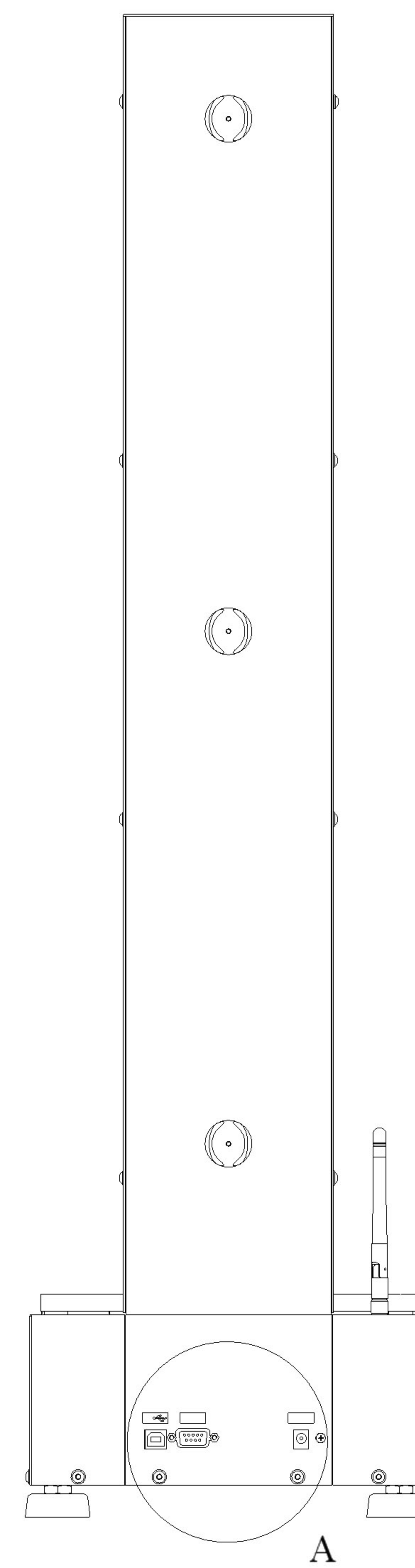
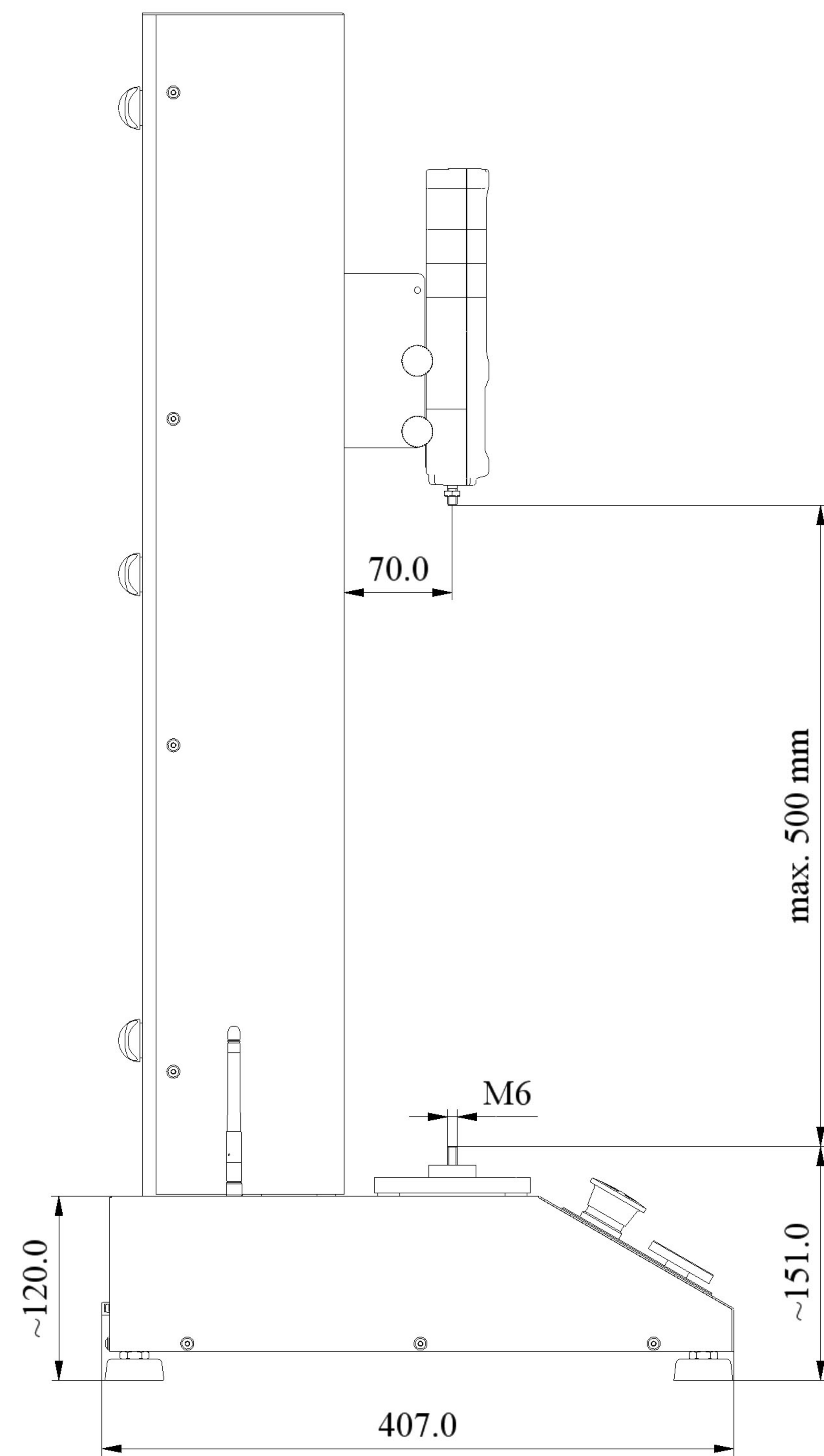
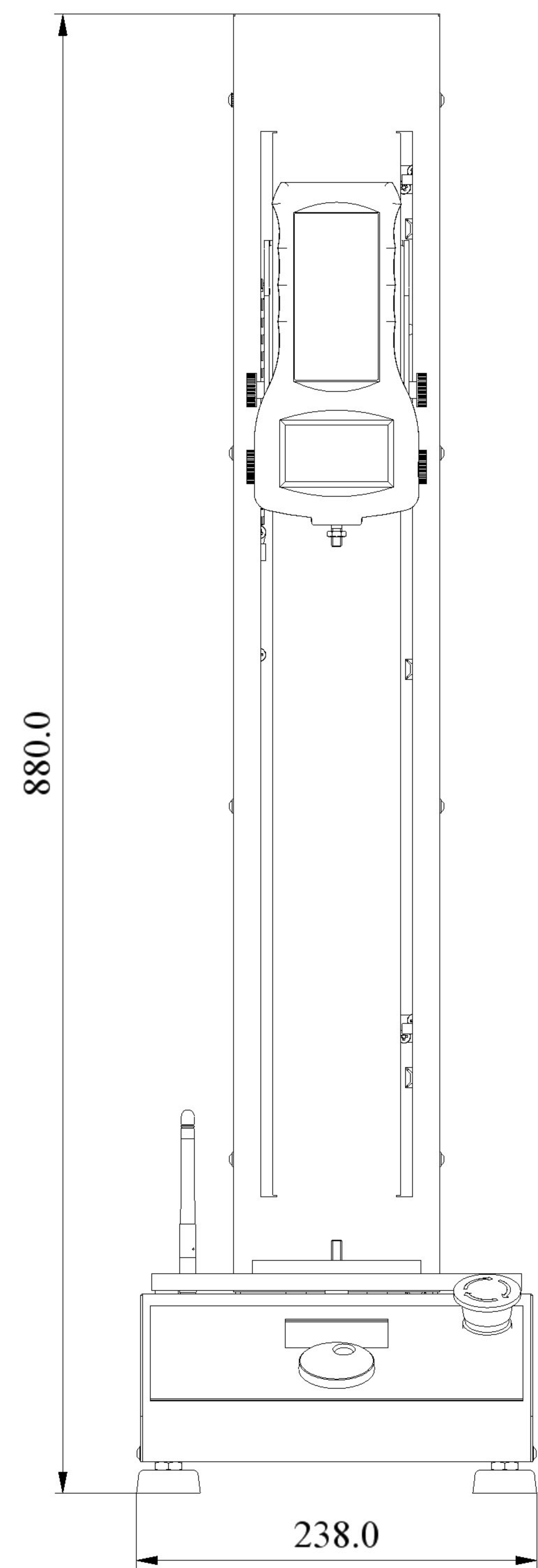
FTV100 VERTICAL  
(METRIC)



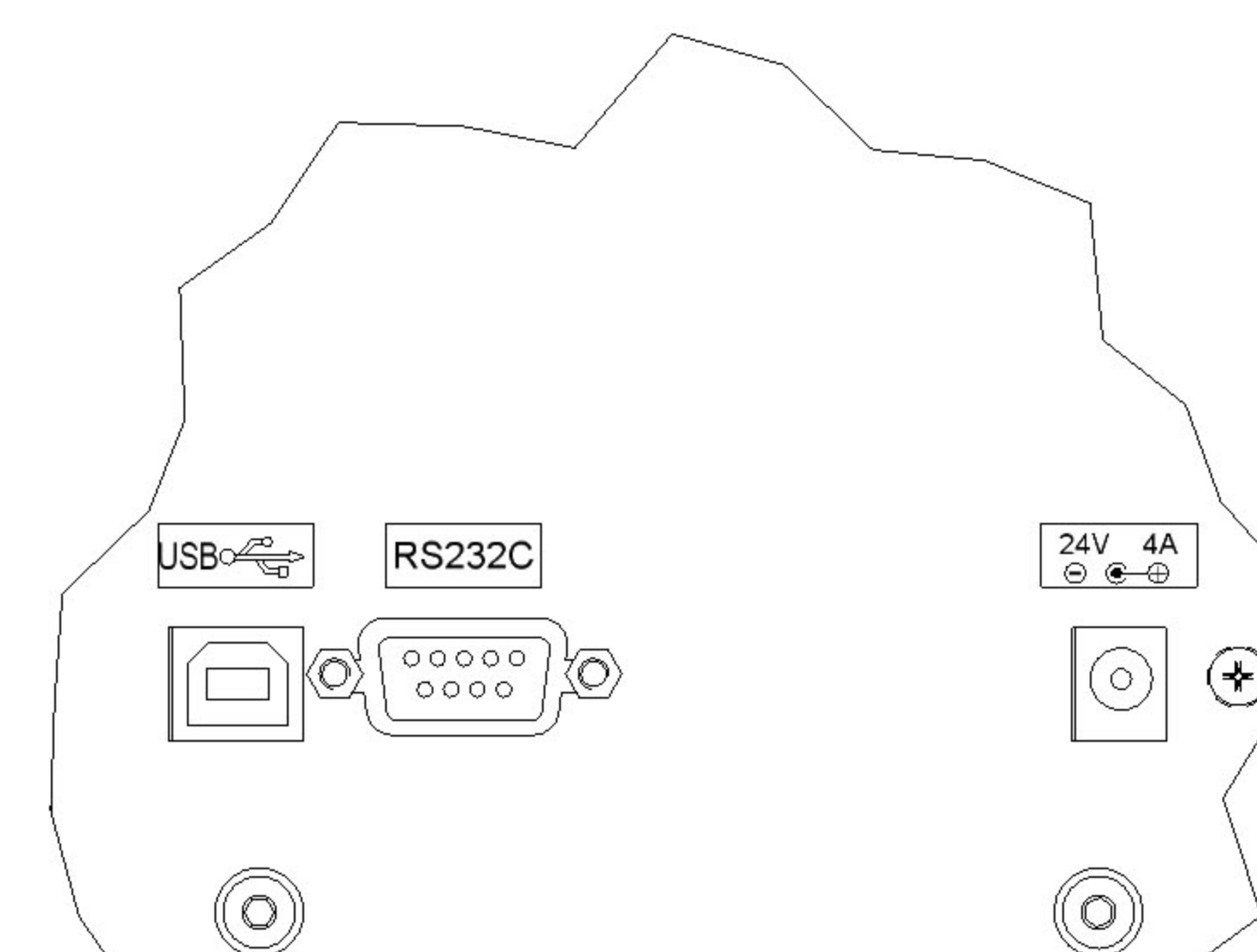


FTV100L VERTICAL  
(IMPERIAL)



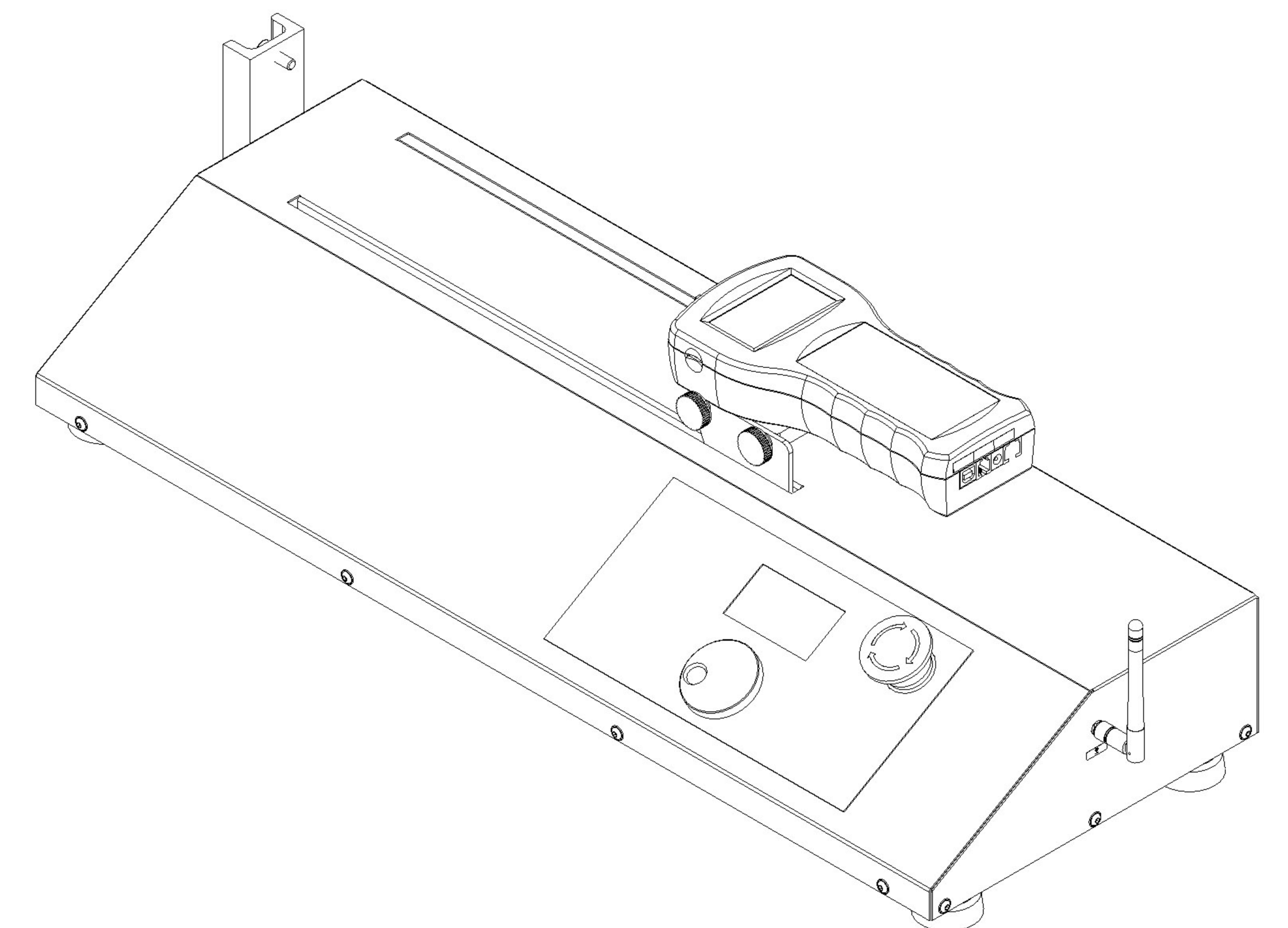
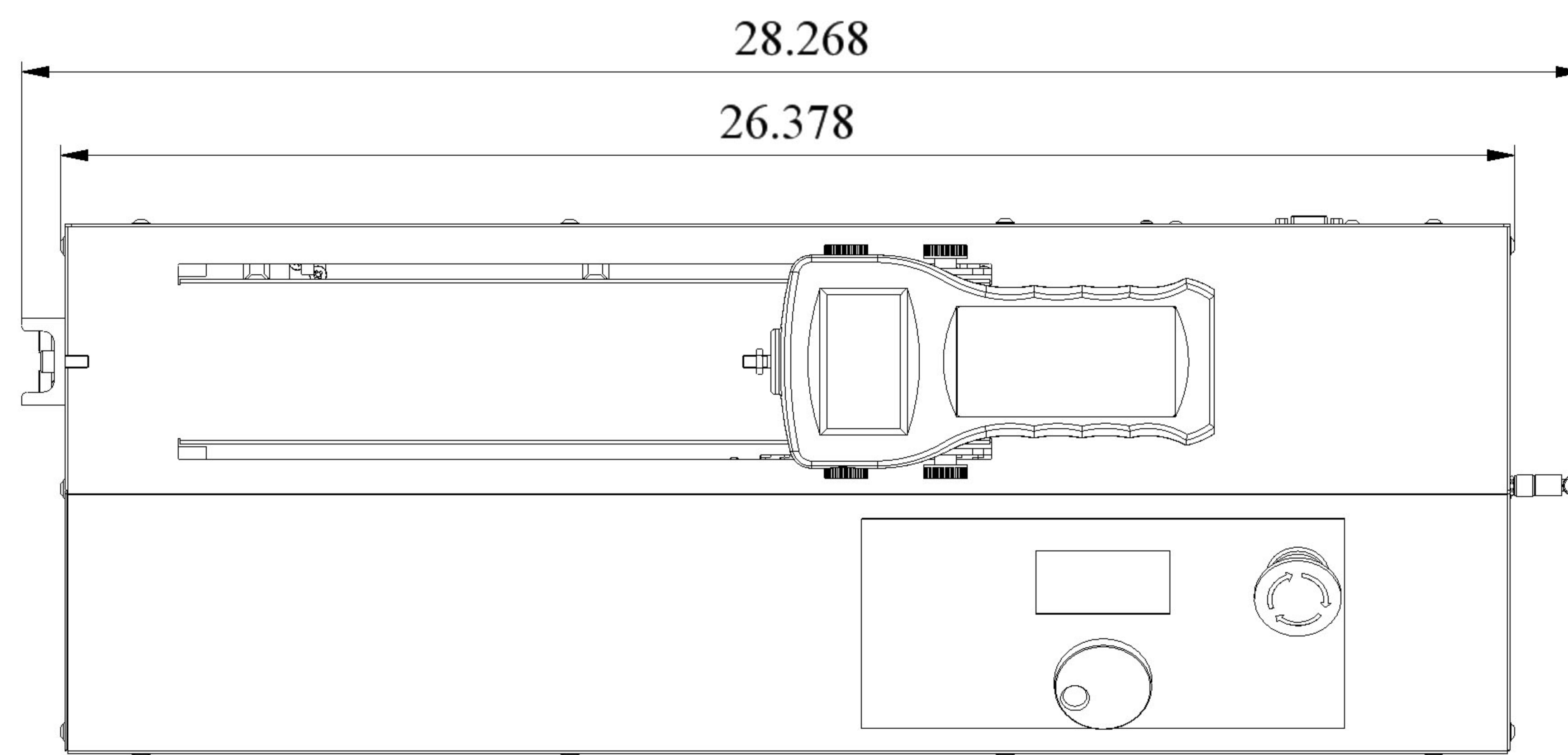
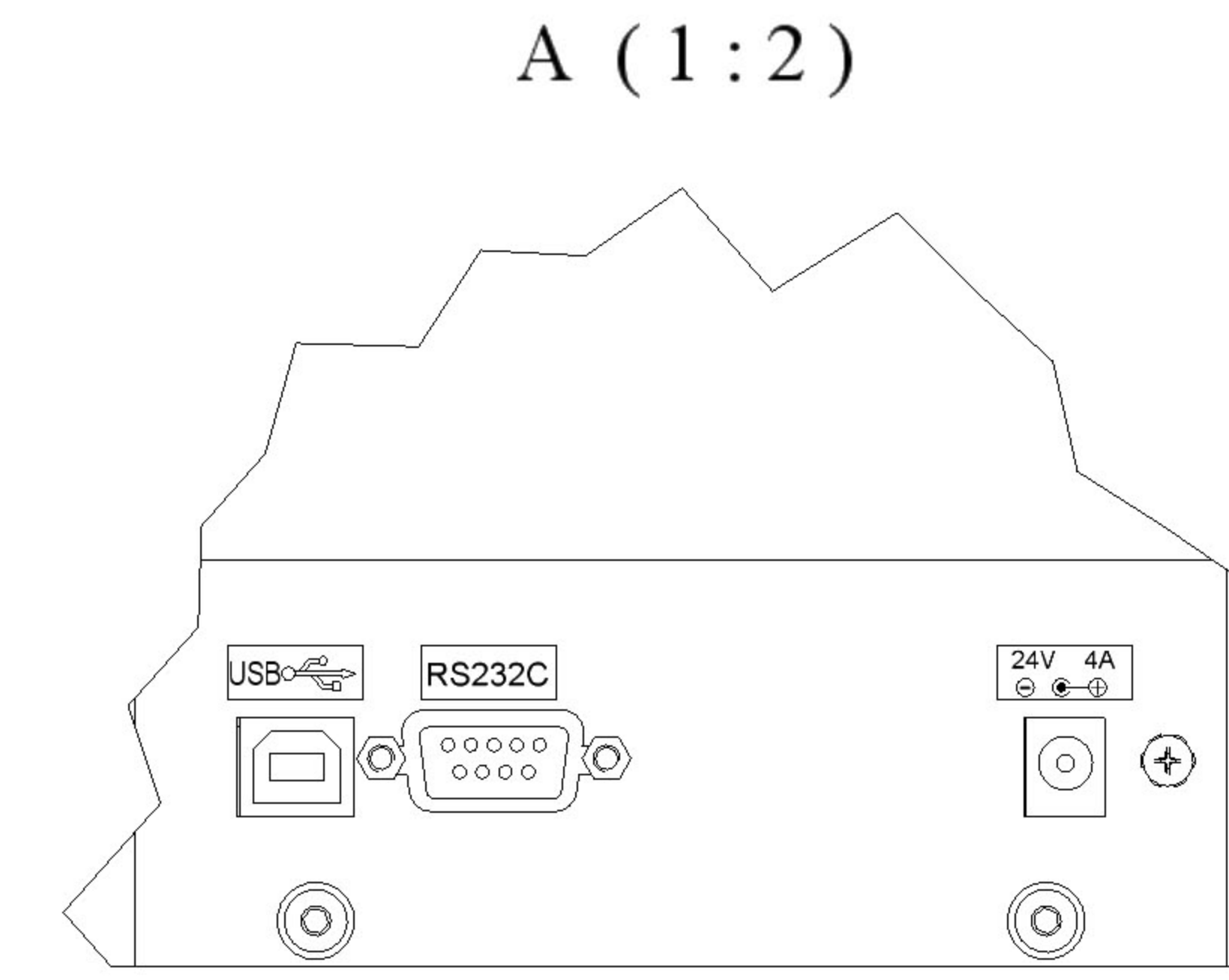
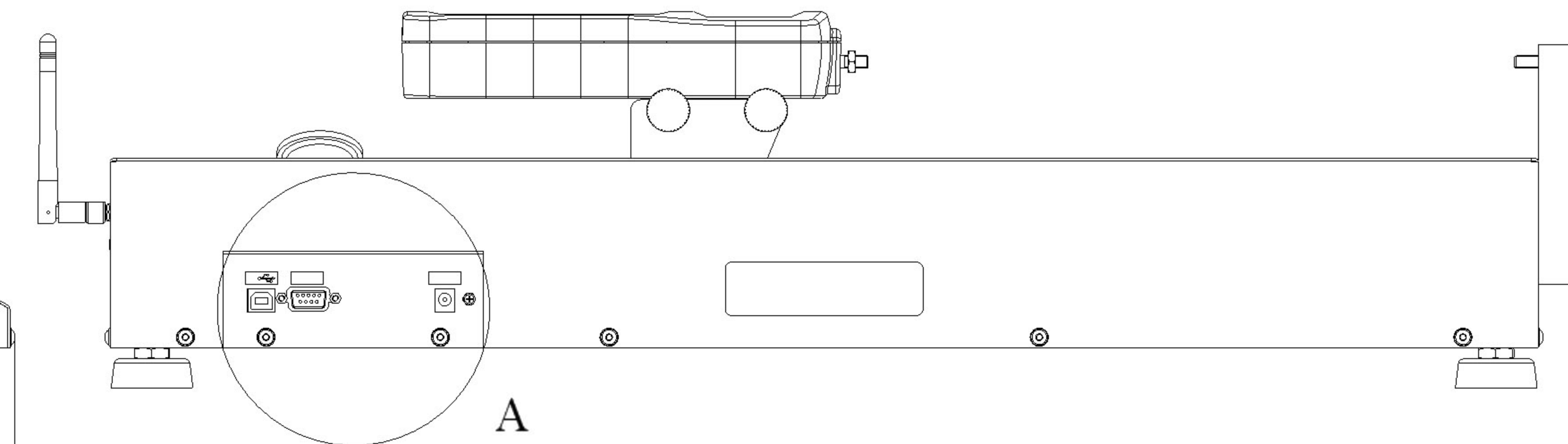
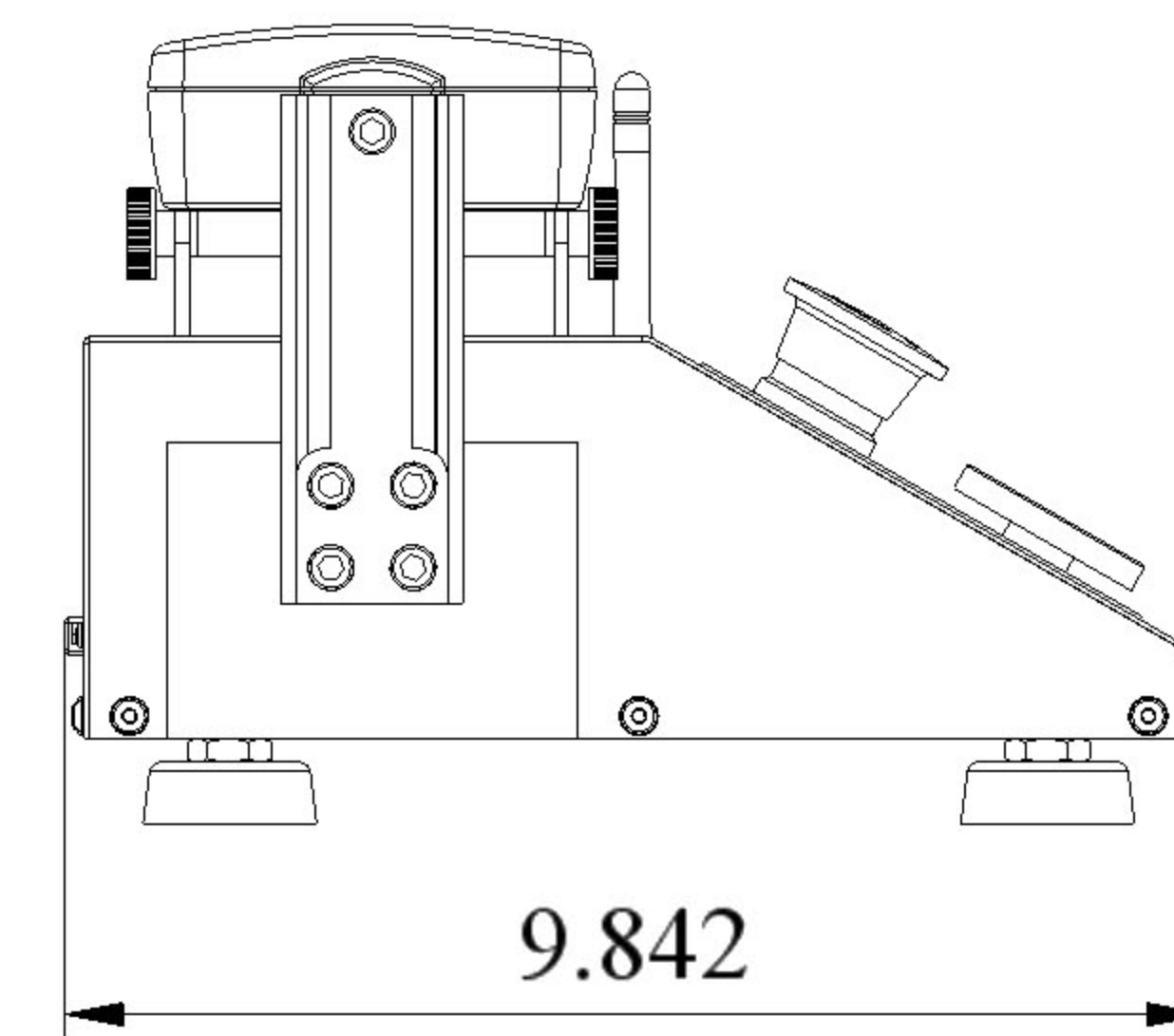
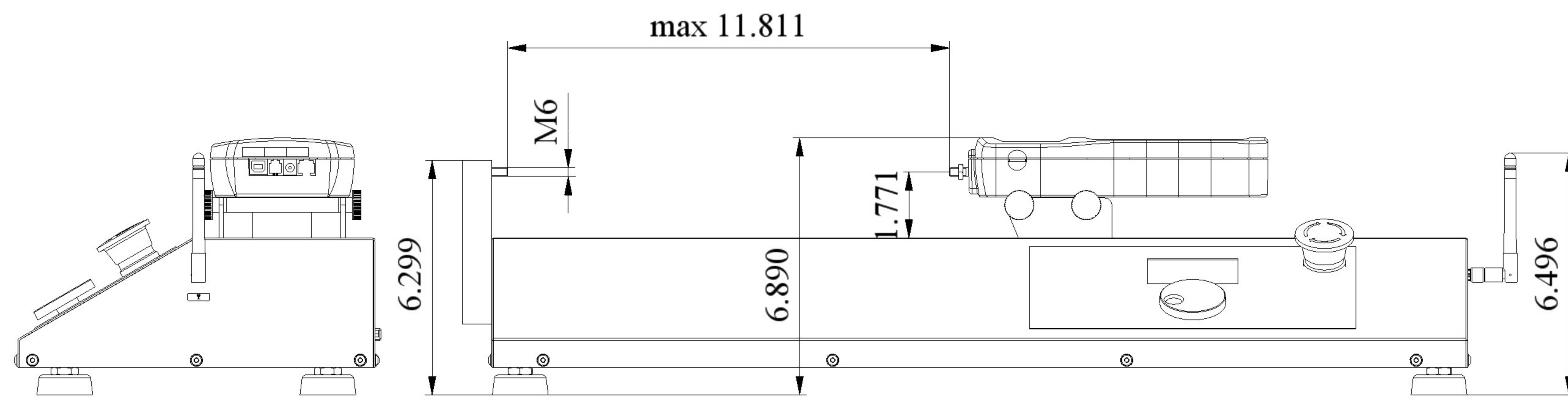


A (1:2)

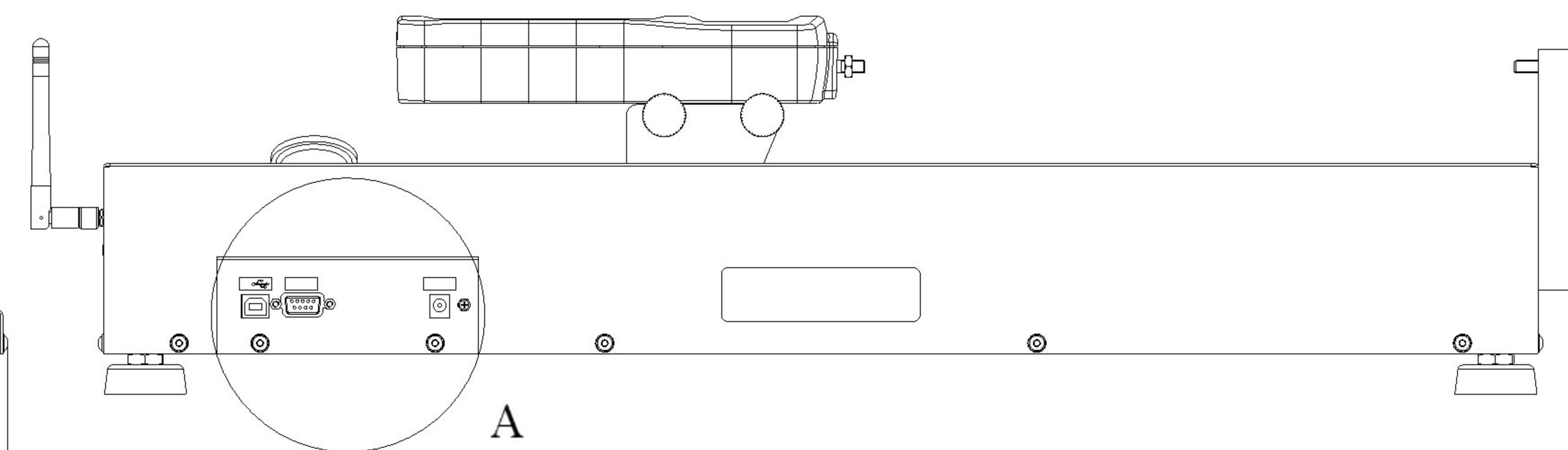
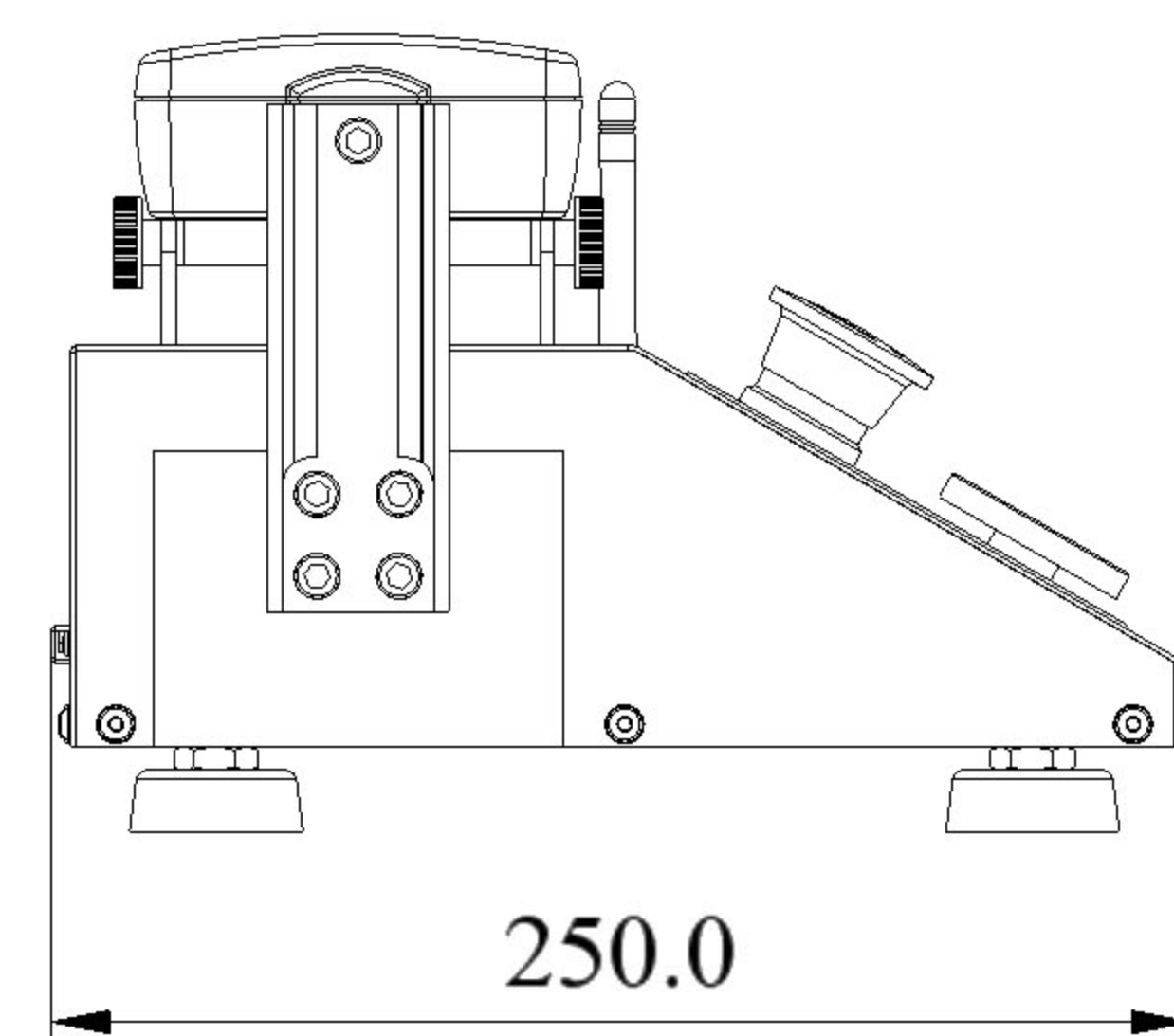
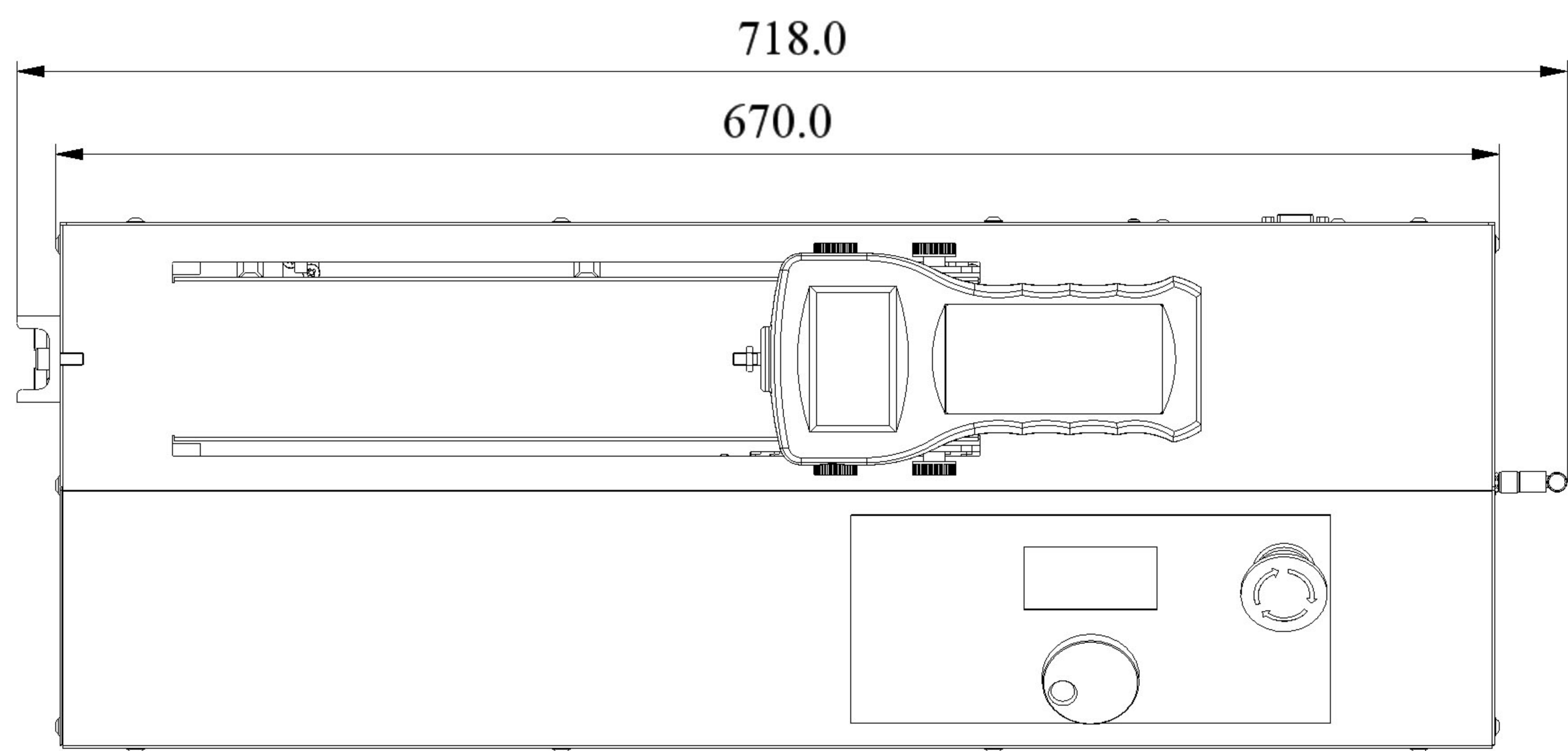
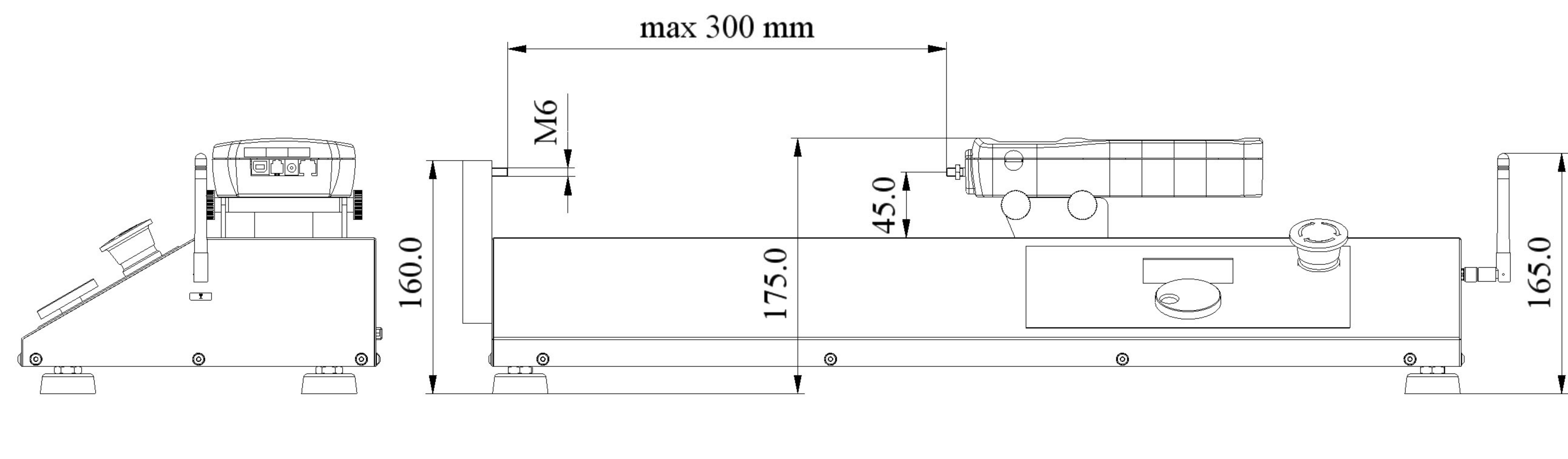


FTV100L VERTICAL  
(METRIC)

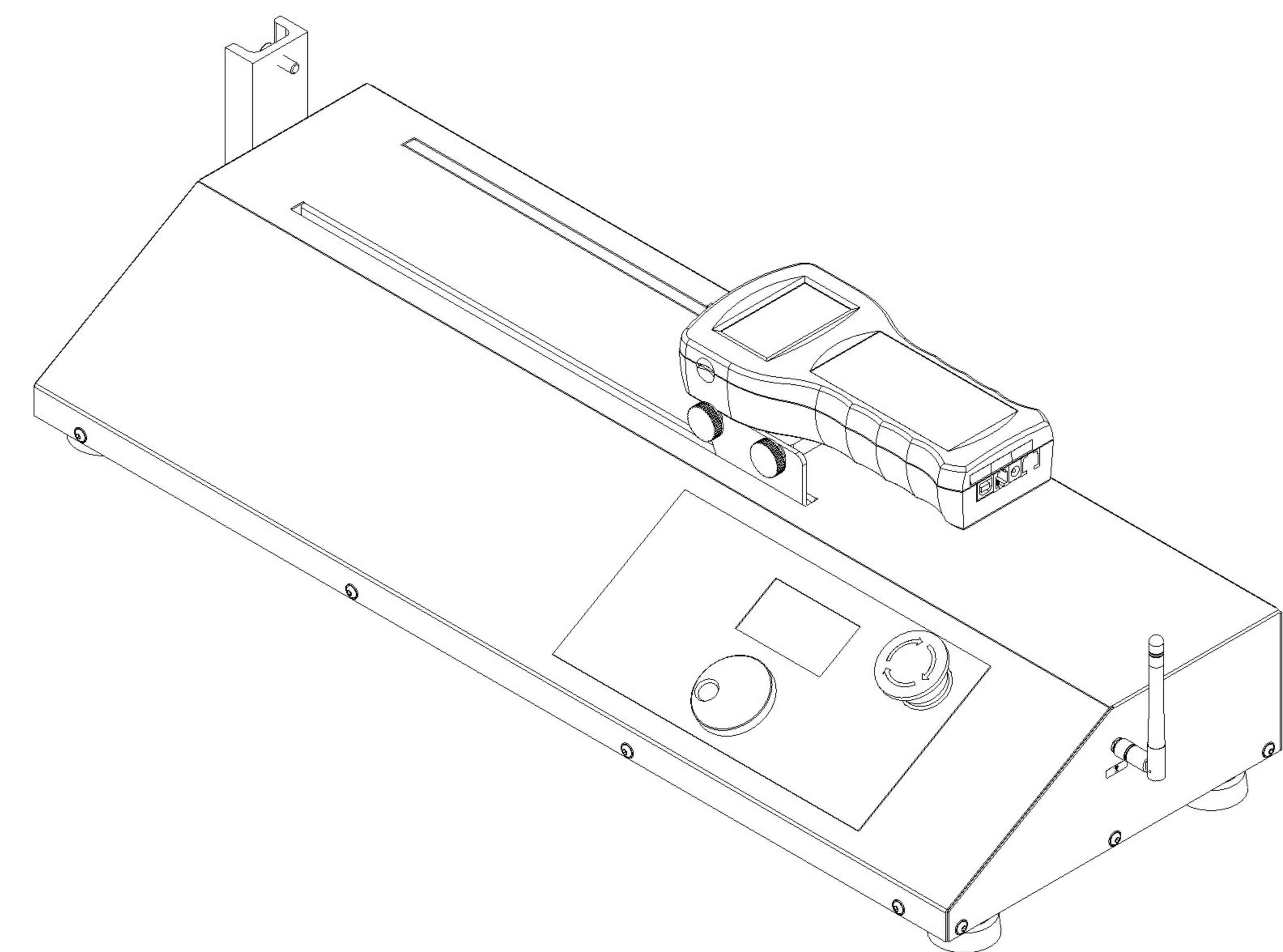
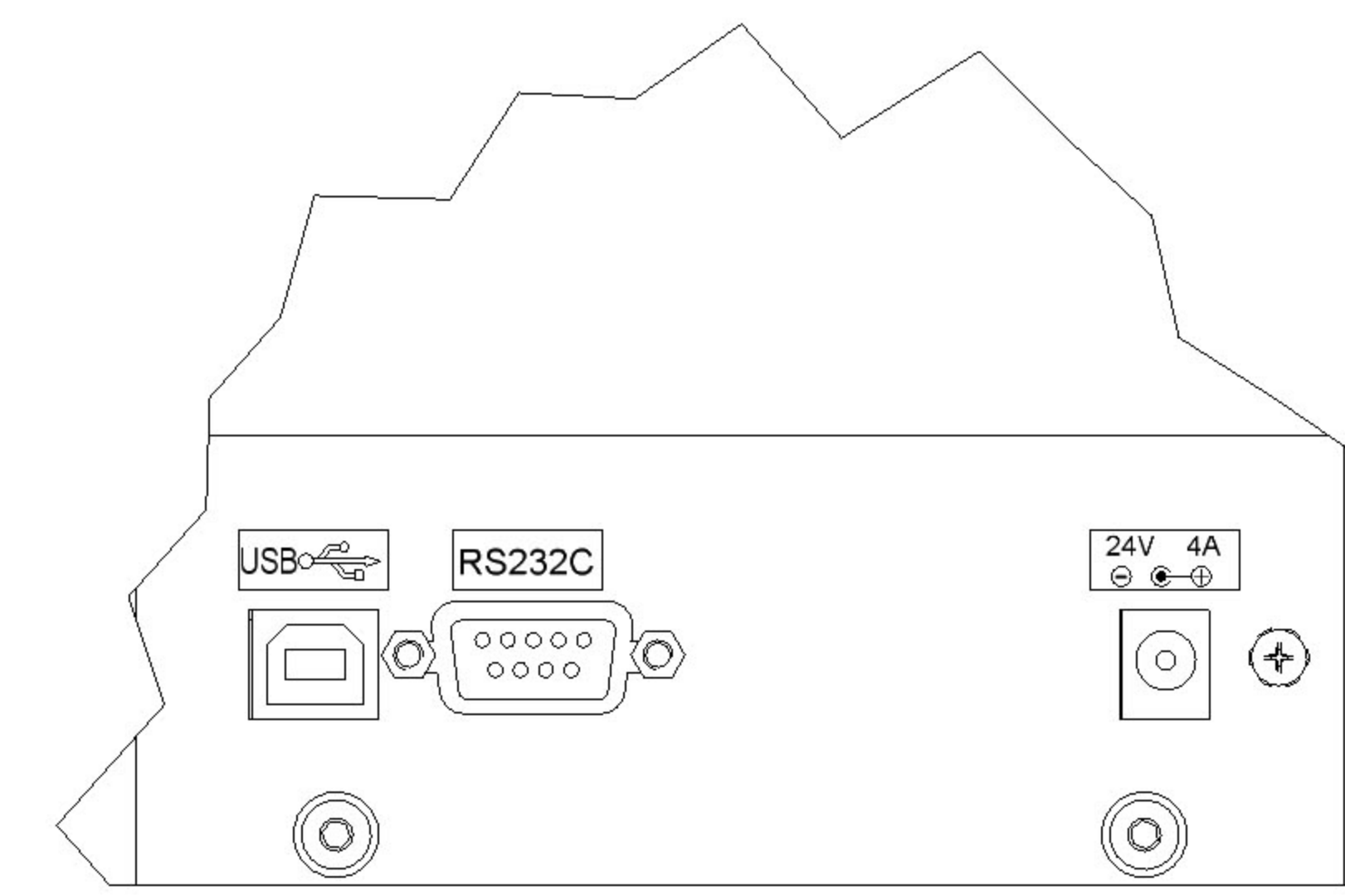




FTH100 HORIZONTAL  
(IMPERIAL)



A (1:2)



FTH100 HORIZONTAL  
(METRIC)